

JOB NAME _____

CONTACT _____

ORDERING CODE _____



VERSA LED Canopy Spot



ORDERING CODES

PART NUMBER	137430	
DELIVERED LUMENS	21LM	2110 lm
CCT	30K 35K	3000K 3500K
CRI	90	90 CRI
VOLTAGE	120	120V
DIMMING	ELV	10% trailing edge dimming
FINISH	BK WH	black white
STEM LENGTH	3 28'	3-3/8" stem 3" to 28" stem
MOUNTING OPTIONS	MP	monopoint canopy

ORDERING CODE _____

Follow the steps to specify your fixture, example:
137430 - 21LM - 30K - 90 - 120 - ELV - BK - 3- MP

LED	POWER
DELIVERED LM	W (90 CRI)
2110	19

Power Factor ≥ 0.9

NOTES
 1 Field cuttable to specific length; length may be specified in 1" increments at additional charge.

DESCRIPTION

VERSA is a line voltage canopy spot with manual beam control to the degree. With 25° to 60° design options built in, VERSA allows for simple adjustment by simply turning the snoot without changing reflectors or lens media. Delivering 114 lm/W @ 90+ CRI using Citizen's latest LED technology. VERSA carries the first 5 Year FIXTURE WARRANTY.

HOUSING

Extruded aluminum housing with white or black finish. Adjustable snoot has pre-set beam indicators for 25°, 40°, and 60°. Further refined beam control can be attained during hot-adjustment of snoot.

MOUNTING

- Canopy over a 3-1/2" to 4" recessed octagonal junction box for MP mounting option.

ELECTRICAL/CONTROLS

- 120Vac, 50/60Hz input, 19W
- Trailing Edge (ELV) dimming to less than 10%

LISTINGS

- ETLus Listed to UL1598 (suitable for dry locations only)
- cETL Listed to CSA C22.2 #250
- Made in the USA - meets the requirements for the Buy American provision within the ARRA

LED INFO

- Citizen CLU038-1208 ver.6
- SDCM = 3-step MacAdam Ellipse, Lumen Maintenance: L₈₀ > 60,500 hrs, Efficacy: 114 lm/W (3500K)

DELIVERED LUMEN (CCT VS. BEAM)

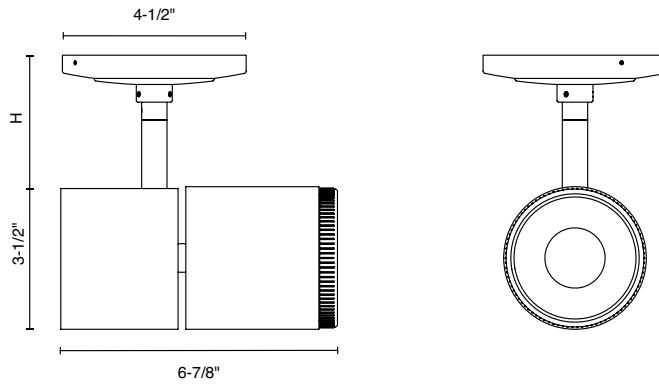
Source Lumens	Beam Angle	3000K	3500K
21LM	25°	2050 lm	2080 lm
	40°	2000 lm	2030 lm
	60°	2080 lm	2110 lm



MOUNTING OPTIONS

Mounting Options

MP monopoint canopy



H = 3-3/8" or 3" - 28" field cuttable; length may be specified in 1" increments at additional charge