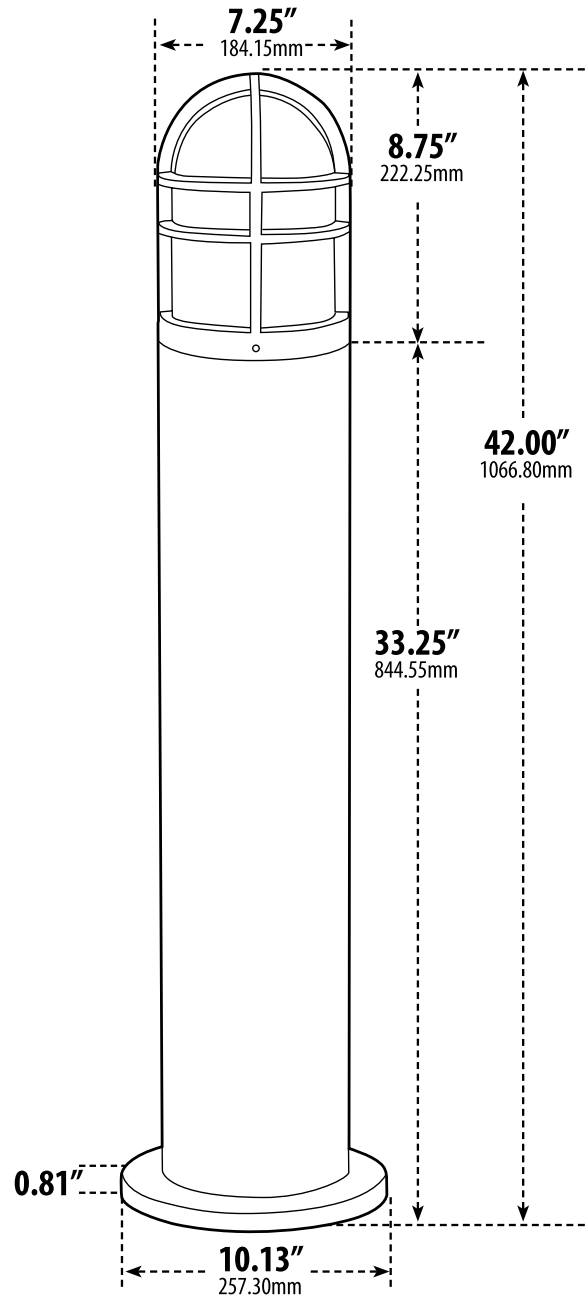


D110

PATH, WALKWAY, DRIVEWAY and ENTRANCE AREA BOLLARD

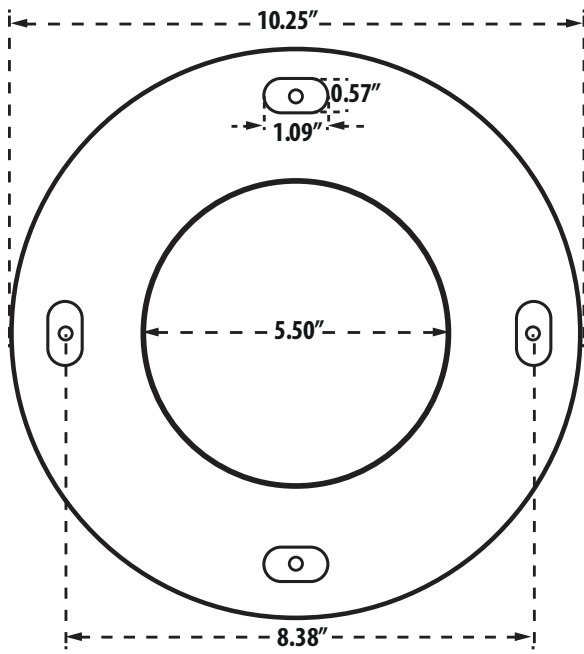


- ▶ **Material:** Fiberglass
- ▶ **Lens:** White, Heat Resistant, Polycarbonate Lens
- ▶ **Available Finish:** Black, Bronze
- ▶ **ETL Approved**

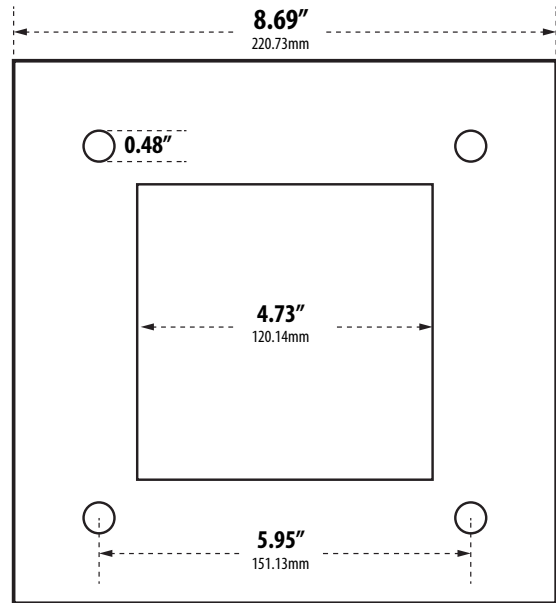
DABMAR
L I G H T I N G

DABMAR LIGHTING INCORPORATED

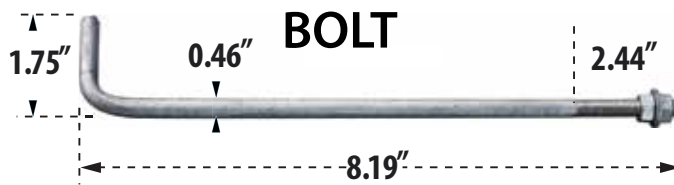
320 Graves Ave . Oxnard, CA 93030 . 805.604.9090 . f: 805.604.9050 . www.dabmar.com



BASE PATTERN



TEMPLATE PATTERN



BOLT

| MODEL NUMBER | LAMP TYPE | ILLUMINANT TYPE | WATTS (W) | VOLTS (V) | BASE TYPE | LAMP(S) INCLUDED? |
|--------------|----------------|-----------------|-----------|-----------|-----------|-------------------|
| D110 | A-Type | Incandescent | 60 | 120 | MED | NO |
| D110-LED112 | Tubular G24 2P | 112 LEDs | 20 | 120-277 | MED | YES |
| D112-35 | HID | HPS | 35 | 120 | MED | YES |
| D112-50 | HID | HPS | 50 | 120 | MED | YES |
| D112-50-MT | HID | HPS | 50 | MT | MED | YES |
| D112 | HID | HPS | 70 | 120 | MED | YES |
| D112-MT | HID | HPS | 70 | MT | MED | YES |
| D113-35 | HID | MH | 35 | 120 | MED | YES |
| D113-50 | HID | MH | 50 | 120 | MED | YES |
| D113-50-MT | HID | MH | 50 | MT | MED | YES |
| D113 | HID | MH | 70 | 120 | MED | YES |
| D113-MT | HID | MH | 70 | MT | MED | YES |
| D115 | S13-GU24 | Fluorescent | 13 | 120 | GU24/MED | YES |
| D116 | S23-GU24 | Fluorescent | 23 | 120 | GU24/MED | YES |

Overall Dimensions:

10.25"W x 42.00"H x 10.25"D

Maximum Height: 42.00"

Width: 10.25"

Maximum Depth: 10.25"

Weight: 16.20 lbs

Box Dimensions: 11.13"W x 44.00"H x 10.50"D

LED Available in 30K or 50K

FIBERGLASS is warranted for a period of three (3) years from date of shipment

LED is warranted for a period of three (3) years or half the lifespan from date of shipment