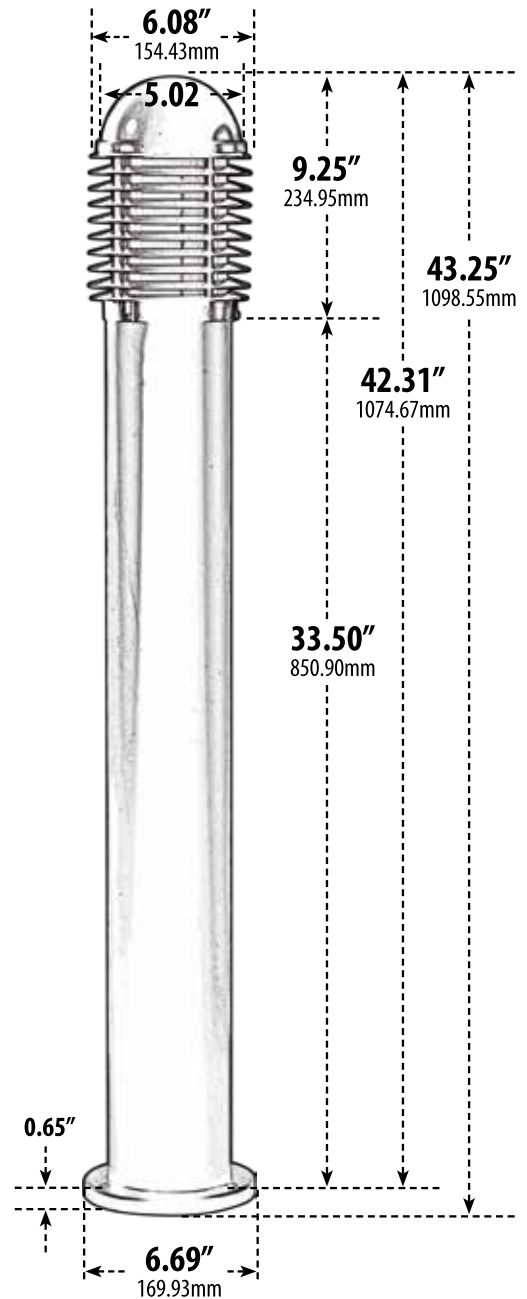


D3300

PATH, WALKWAY, DRIVEWAY and ENTRANCE AREA BOLLARD

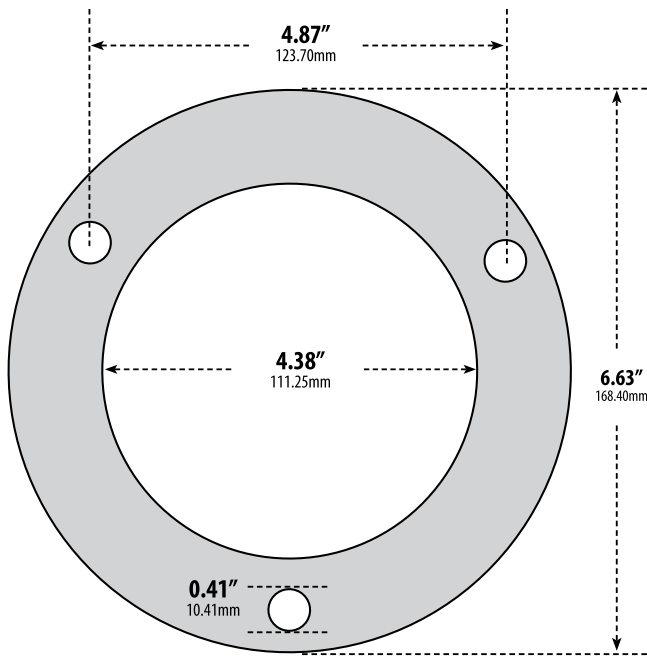


- ▶ **Material:** Powder Coated Cast Aluminum
- ▶ **Lens:** Clear, Heat Resistant, Polycarbonate Lens
- ▶ **Available Finish:** Black, Bronze, Verde Green
- ▶ **ETL Approved**

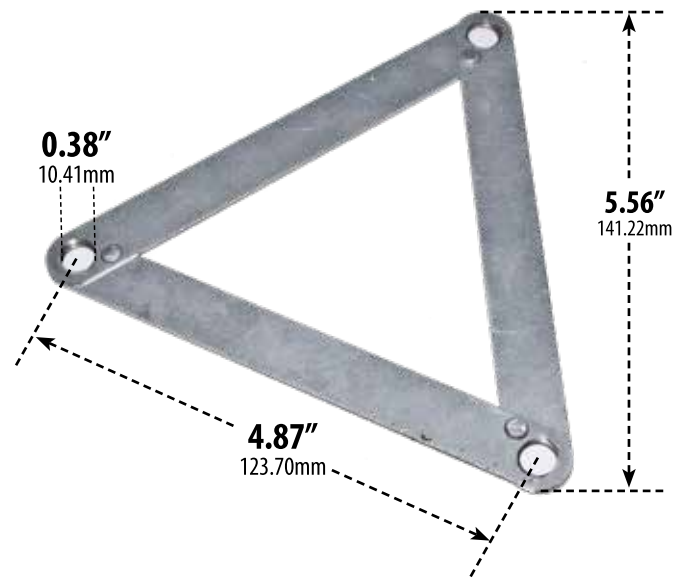
DABMAR
LIGHTING

DABMAR LIGHTING INCORPORATED

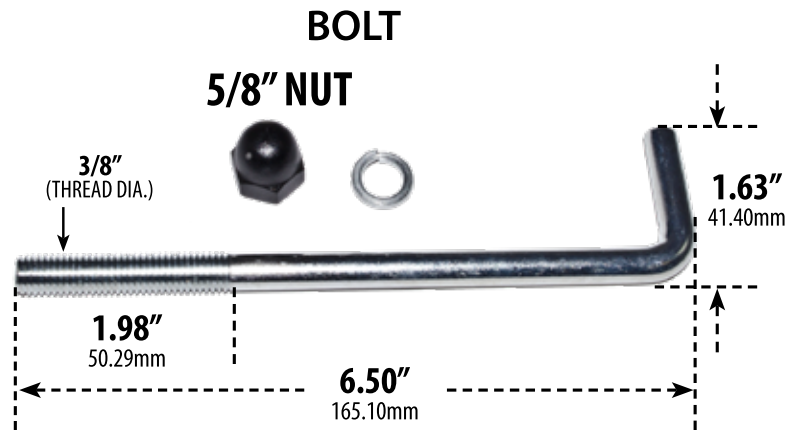
2140 Eastman Ave . Oxnard, CA 93030 . 805.604.9090 . f: 805.604.9050 . www.dabmar.com



BASE PATTERN



TEMPLATE PATTERN



MODEL NUMBER	LAMP TYPE	ILLUMINANT TYPE	WATTS (W)	VOLTS (V)	LAMP(S) INCLUDED?
D3300	A-Type	Incandescent	60	120	NO
D3300-LED112	Tubular G24 2P	112 LEDs	20	120-277	YES
D3327	S13-GU24	Fluorescent	13	120	YES
D3328	S26-GU24	Fluorescent	26	120	YES
D3335	HID	HPS	35	120	YES
D3350	HID	HPS	50	120	YES
D3350-MT	HID	HPS	50	MT	YES
D3370	HID	HPS	70	120	YES
D3370-MT	HID	HPS	70	MT	YES
D3375	HID	MH	35	120	YES
D3376	HID	MH	50	120	YES
D3376-MT	HID	MH	50	MT	YES
D3380	HID	MH	70	120	YES
D3380-MT	HID	MH	70	MT	YES

Overall Dimensions:
6.69"W x 43.25"H x 6.69"D

Maximum Height: 43.25"
Width: 6.69"
Maximum Depth: 6.69"

Weight: 8.0 lbs
Box Dimensions: 7.63"W x 44.0"H x 7.44"D