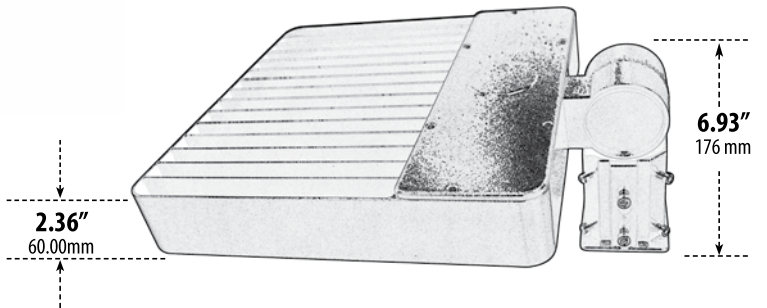
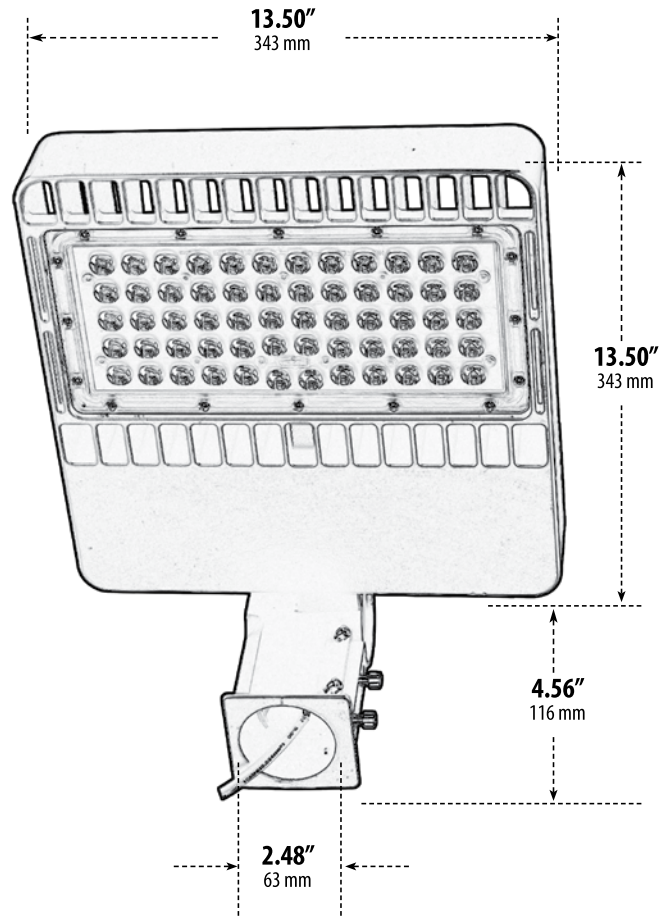


DF-LED7760

POST TOP FIXTURE



- ▶ **Material:** Powder Coated Cast Aluminum
- ▶ **Lens:** Clear, Polycarbonate
- ▶ **Available Finish:** Black, Verde Green
- ▶ **Color Temperature:** 5000K
- ▶ **Lumens:** 13200 Lm
- ▶ **Life Expectancy:** 50,000 Hrs
- ▶ **ETL and DLC Approved**

MODEL NUMBER	LAMP TYPE	ILLUMINANT TYPE	WATTS (W)	VOLTS (V)	LAMP(S) INCLUDED?
DF-LED7760	60 LEDs	LED BOARD	150	120-277	YES

Overall Dimensions:
18.07"H x 13.50"W x 6.93"D

Weight: 15 lbs

Approximate Wire Length: N/A

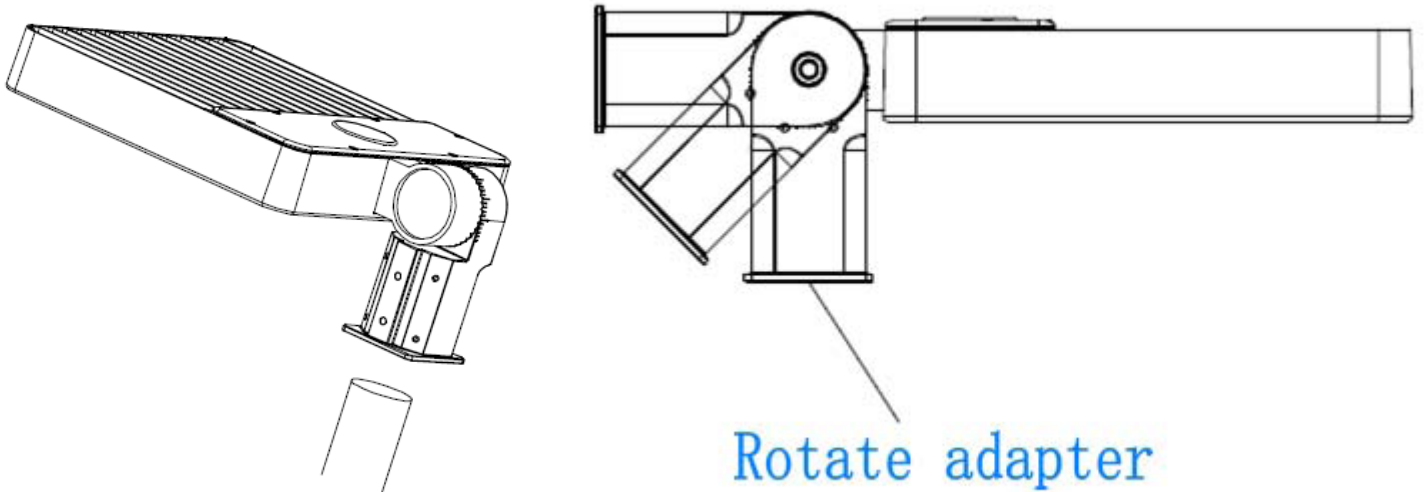
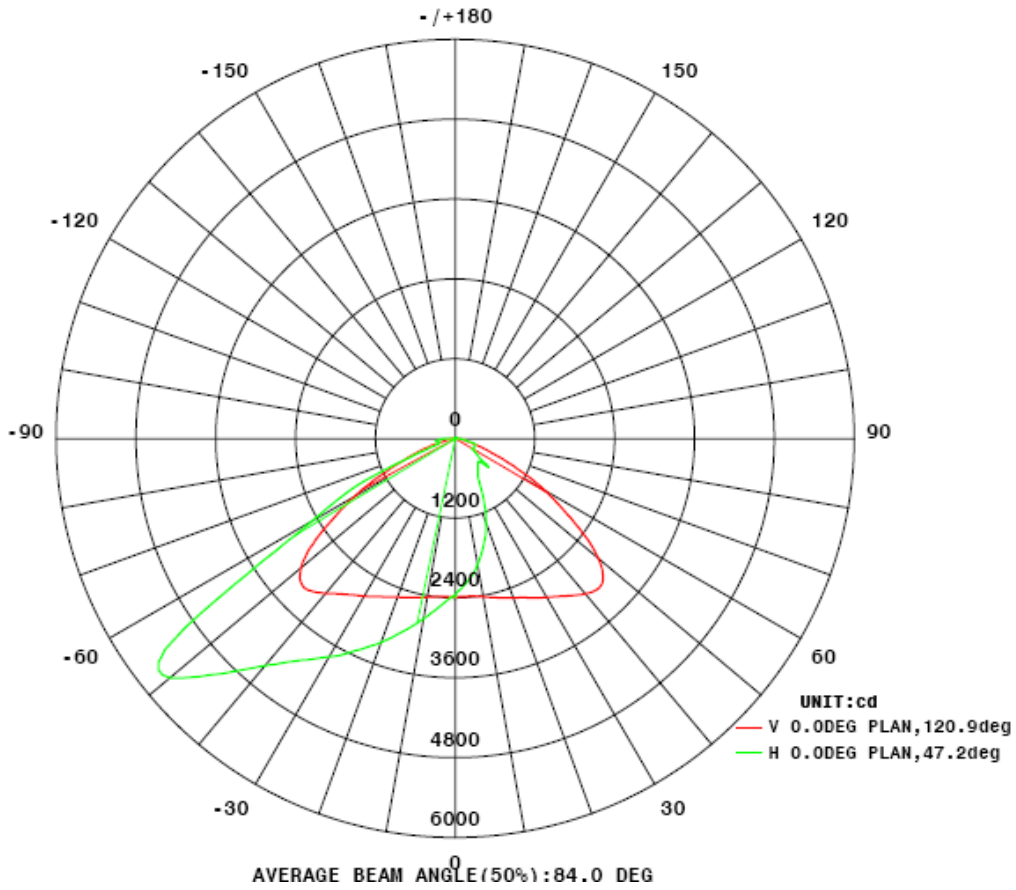
Box Dimensions: 15.60"H x 23.20"W x 4.50"D



Before: HPS Luminaires

After: LED Luminaires

DF-LED7760



DABMAR
L I G H T I N G

DABMAR LIGHTING INCORPORATED

2140 Eastman Ave . Oxnard, CA 93030 . 805.604.9090 . f: 805.604.9050 . www.dabmar.com