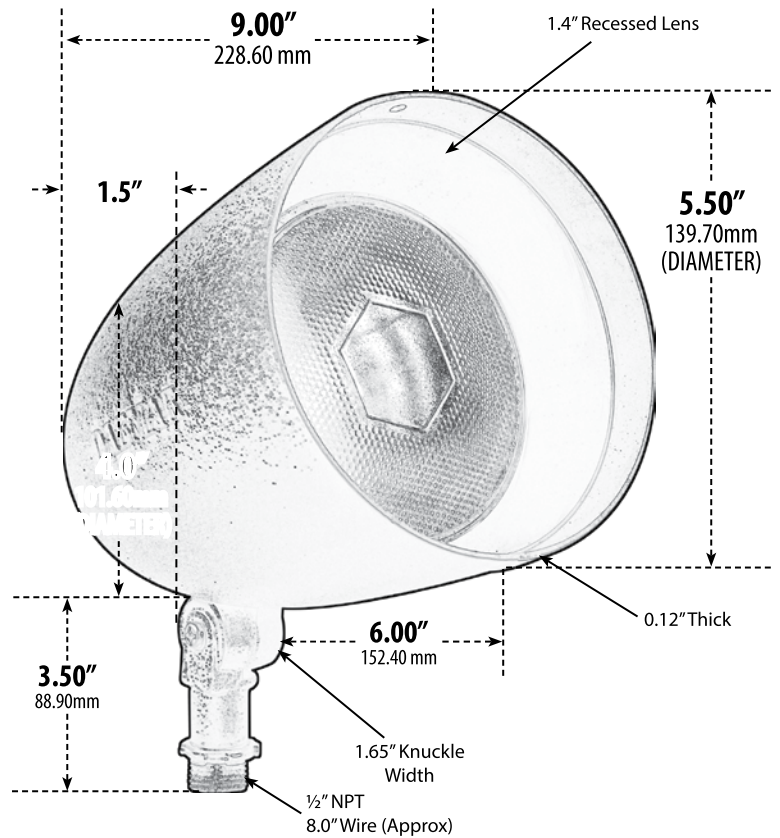


DPR38

DIRECTIONAL SPOT LIGHT



- ▶ **Material:** Powder Coated Cast Aluminum
- ▶ **Lens:** No Lens, Open Lamp
- ▶ **Lamp:** PAR 38 (90W Maximum)

MODEL NUMBER	LAMP TYPE	ILLUMINANT TYPE	WATTS (W)	VOLTS (V)	LAMP(S) INCLUDED?
DPR38	PAR38	INCANDESCENT	90	120	NO

- ▶ **Adjustable Knuckle with 1/2" NPT**
- ▶ **Ground Spike Available:** LV-S6 (sold separately)
- ▶ **Available Finish:** Black, Bronze, Green, Verde Green
- ▶ **ETL Approved**

Overall Dimensions:
9.00"H x 6.00"W x 8.38"D

Maximum Height: 10.75"
Minimum Height: 9.00"
Maximum Depth: 9.50"
Minimum Depth: 7.00"

Weight: 1.8 lbs
Approximate Wire Length: 8.0"
Box Dimensions:
8.50"H x 6.25"W x 6.25"D

DABMAR
LIGHTING

DABMAR LIGHTING INCORPORATED

320 Graves Ave . Oxnard, CA 93030 . 805.604.9090 . f: 805.604.9050 . www.dabmar.com