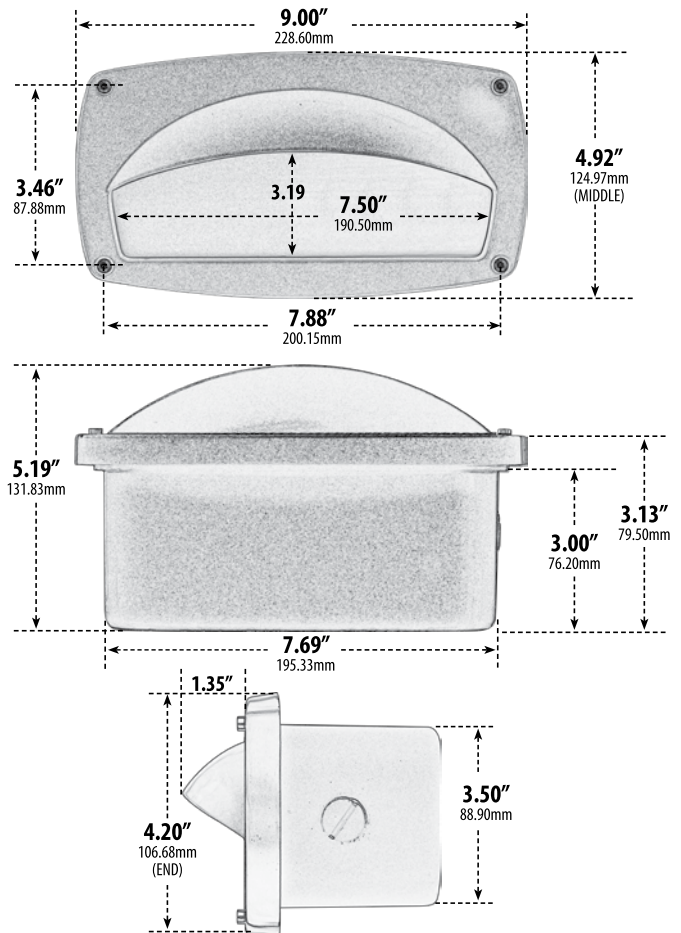


DSL1014

RECESSED BRICK, STEP AND WALL LIGHT



- ▶ **Material:** Powder Coated Cast Aluminum
- ▶ **Lens:** White, Heat Resistant, Plastic

| MODEL NUMBER | LAMP TYPE | ILLUMINANT TYPE | WATTS (W) | VOLTS (V) | LAMP(S) INCLUDED? |
|--------------|-----------|-----------------|-----------|-----------|-------------------|
| DSL1014 | T10 | INCANDESCENT | 40 | 120 | NO |
| DSL1014-LED5 | PL-LED | LED | 5 | 85-264 | YES |
| DSL1014-LED7 | G24-LED | TUBULAR LED | 7 | 85-265 | YES |
| DSL1014-LED9 | G24-LED | TUBULAR LED | 9 | 85-265 | YES |
| DSL1045 | PL5 | FLUORESCENT | 5 | 120 | YES |
| DSL1047 | PL7 | FLUORESCENT | 7 | 120 | YES |
| DSL1049 | PL9 | FLUORESCENT | 9 | 120 | YES |
| DSL1053 | PLQ13 | FLUORESCENT | 13 | 120 | YES |
| DSL1054 | S13-GU24 | FLUORESCENT | 13 | 120 | YES |
| DSL1089 | G24-LED | 100 LEDs | 12 | 120-277 | YES |

- ▶ **Available Finish:** Black, Bronze, Verde Green, White
- ▶ **Recessed Mount**
- ▶ **Replacement Cover Plate:** P-CVR-DSL1014 (sold separately)
- ▶ **ETL Approved**

LED Available in Warm or Cool White

- DSL1014: 2.00 lbs Incandescent (no lamp included)
- DSL1045: 2.40 lbs
- DSL1047: 2.40 lbs
- DSL1049: 2.40 lbs
- DSL1053: 2.40 lbs
- DSL1054: 2.40 lbs
- DSL1089: 2.40 lbs

Overall Dimensions:
4.95"H x 9.00"W x 3.80"D

Wire Length: 5.00"
Box Dimensions: 9.44"H x 5.58"W x 5.12"D



DABMAR LIGHTING INCORPORATED

320 Graves Ave . Oxnard, CA 93030 . 805.604.9090 . f: 805.604.9050 . www.dabmar.com