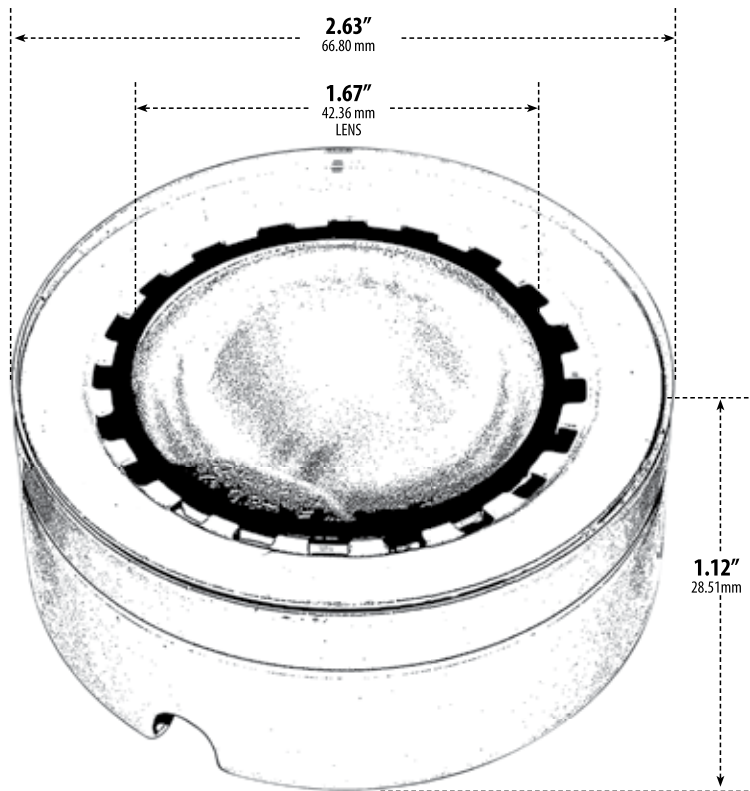


# DW09

## UNDERCABINET SINGLE DOWN LIGHT



Overall Dimensions:  
1.12"W x 2.63"H x 2.63"D

Weight: 3.7oz.  
Approximate Wire Length: 7.75"  
Box Dimensions: 3.13"W x 3.13"H x 2.13"D

- ▶ **Material:** Powder Coated Cast Aluminum
- ▶ **Lens:** Frosted, Polycarbonate Lens
- ▶ **Available Finish:** Black, White
- ▶ **ETL Approved**

MODEL NUMBER	LAMP TYPE	ILLUMINANT TYPE	WATTS (W)	VOLTS (V)	LAMP(S) INCLUDED?
DW09	JC	HALOGEN	20	12	YES

**DABMAR**  
LIGHTING

DABMAR LIGHTING INCORPORATED

2140 Eastman Ave . Oxnard, CA 93030 . 805.604.9090 . f: 805.604.9050 . www.dabmar.com