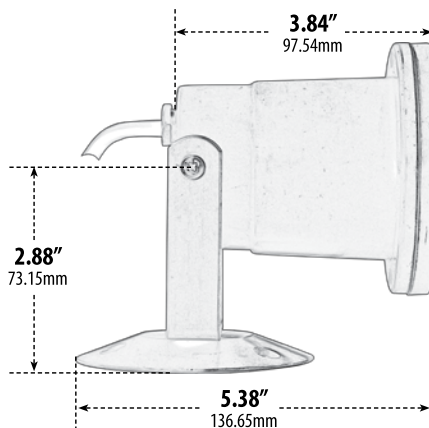
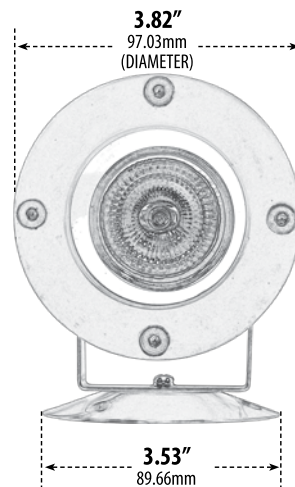


# FG313

## POND AND FOUNTAIN UNDERWATER LIGHT



- **Material:** Fiberglass
- **Lens:** Clear, Heat Resistant, Tempered Glass
- **Lamp:** MR16 Bi-Pin Base (35W Maximum) Available in 27K or 65K

MODEL NUMBER	LAMP TYPE	ILLUMINANT TYPE	WATTS (W)	VOLTS (V)	LAMP(S) INCLUDED?
FG313	MR16	HALOGEN	20	12	YES
FG313-LED3	MR16-LED	LED	3	12	YES
FG313-LED5	MR16-LED	LED	5	12	YES
FG313-LED7	MR16-LED	LED	7	12	YES
FG313-LED4-RGBW	MR16-LED	LED	4	12	YES

- **Available Finish:** Bronze
- **Pre-Wired with UL Listed 21' 16/3 Underwater Cable**
- **Adjustable U-Shaped Bracket w/Stainless Steel Base**
- **RGBW Lamp Requires/Remote:** P-RMT-MR16-LED-4W-MC (sold separately)
- **Transformer:** LVT300-SUB/SS Transformer (required) Sold Separately
- **ETL Approved**

Overall Dimensions:  
7.00"H x 3.82"W x 6.00"D

Maximum Height: 6.50"  
Minimum Height: 4.25"  
Width: 3.82"  
Maximum Depth: 5.50"  
Minimum Depth: 3.82"

Weight: 2.40 lbs  
Approximate Wire Length: 22'9"  
Box Dimensions:  
7.00"H x 4.00"W x 4.00"D

**DABMAR**  
LIGHTING

DABMAR LIGHTING INCORPORATED

320 Graves Ave . Oxnard, CA 93030 . 805.604.9090 . f: 805.604.9050 . www.dabmar.com  
4693 19th Street Ct E . Bradenton, FL 34203