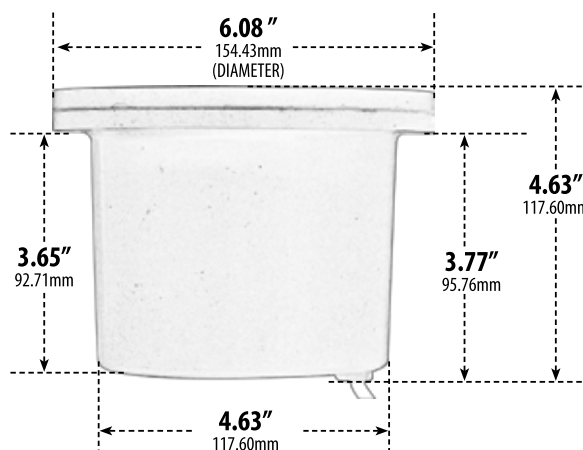
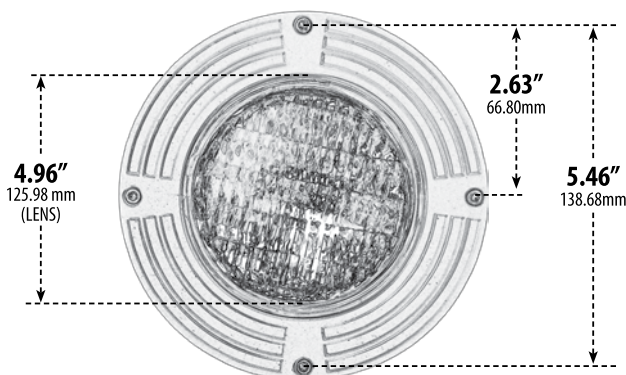


# FG316

## ADJUSTABLE IN-GROUND WELL LIGHT



- ▶ **Material:** Fiberglass
- ▶ **Lens:** Clear, Heat Resistant, Tempered Glass
- ▶ **Lamp:** PAR36 (50W Maximum) Available in 30K or 64K

MODEL NUMBER	LAMP TYPE	ILLUMINANT TYPE	WATTS (W)	VOLTS (V)	LAMP(S) INCLUDED?
FG316	PAR36	HALOGEN	35	12	YES
FG316-LED4	PAR36-LED	SMD LEDs	4	12	YES
FG316-LED6	PAR36-LED	SMD LEDs	6	12	YES
FG316-LED9	PAR36-LED	SMD LEDs	9	12	YES
FG316-LED9-RGBW	PAR36-LED	SMD LEDs	9	12	YES

Pre-wired with UL Listed Direct Burial Wire/Cable

- ▶ **Installation Type:** Rated for In-Ground Soil and Concrete Applications
- ▶ **Available Finish:** Bronze
- ▶ **RGBW Lamp Requires/Remote:** P-RMT-DL-MR16-LED-4W-MC (sold separately)
- ▶ **ETL Approved**

### \*Corrosion Resistant-Ocean Front Placement

Overall Dimensions:  
4.63"H x 6.08"W x 6.08"D

Weight: 1.40 lbs  
Approximate Wire Length: 15"  
Box Dimensions:  
5.43"H x 6.38"W x 6.38"D

**DABMAR**  
LIGHTING

DABMAR LIGHTING INCORPORATED

320 Graves Ave . Oxnard, CA 93030 . 805.604.9090 . f: 805.604.9050 . www.dabmar.com