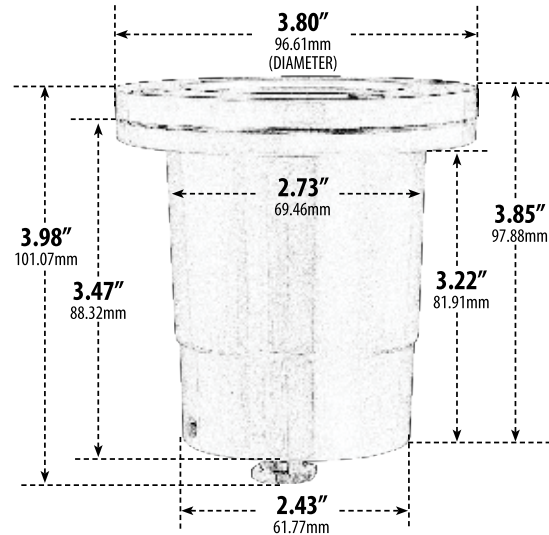
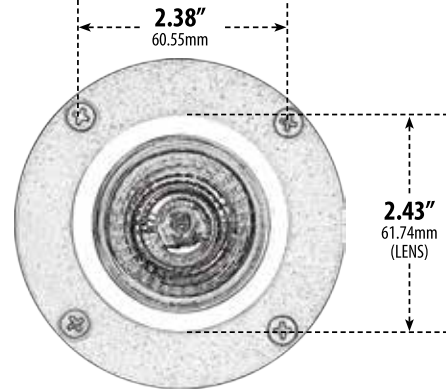


FG318

IN-GROUND WELL LIGHT



- ▶ **Material:** Fiberglass
- ▶ **Lens:** Clear, Heat Resistant, Tempered Glass
- ▶ **Lamp:** MR16 Bi-Pin Base (20W Maximum) Available in 27K or 65K

MODEL NUMBER	LAMP TYPE	ILLUMINANT TYPE	WATTS (W)	VOLTS (V)	LAMP(S) INCLUDED?
FG318	MR16	HALOGEN	20	12	YES
FG318-LED3	MR16-LED	LED	3	12	YES
FG318-LED5	MR16-LED	LED	5	12	YES
FG318-LED7	MR16-LED	LED	7	12	YES
FG318-LED4-RGBW	MR16-LED	LED	4	12	YES

Pre-wired with UL Listed Direct Burial Wire/Cable

- ▶ **Installation Type:** Rated for In-Ground Soil and Concrete Applications
- ▶ **Available Finish:** Black, Bronze
- ▶ **RGBW Lamp Requires/Remote:** P-RMT-DL-MR16-LED-4W-MC (sold separately)
- ▶ **ETL Approved**

Overall Dimensions:
4.08"H x 3.84"W x 3.84"D

Weight: 0.80 lbs
Approximate Wire Length: 16"
Box Dimensions:
6.00"H x 4.00"W x 4.00"D

DABMAR
LIGHTING
DABMAR LIGHTING INCORPORATED