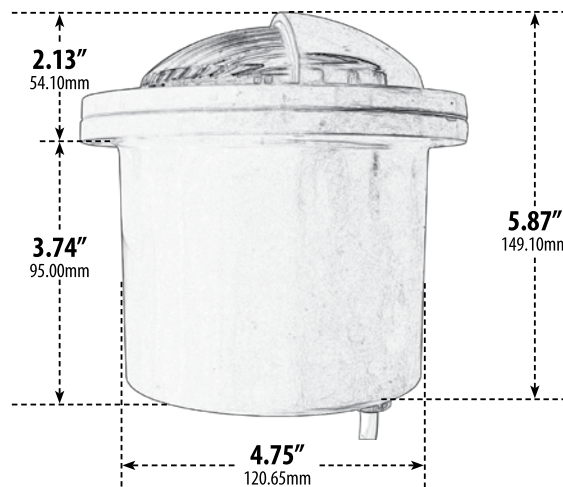
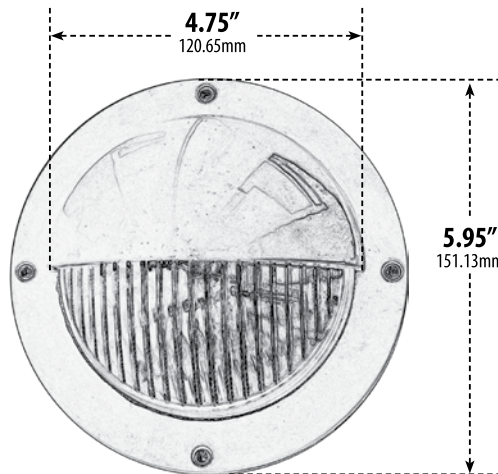


FG326

ADJUSTABLE IN-GROUND WELL LIGHT w/EYELID



- ▶ **Material:** Fiberglass
- ▶ **Lens:** Clear, Heat Resistant Lexan
- ▶ **Lamp:** PAR36 (50W Maximum) Available in 30K or 64K

MODEL NUMBER	LAMP TYPE	ILLUMINANT TYPE	WATTS (W)	VOLTS (V)	LAMP(S) INCLUDED?
FG326	PAR36	HALOGEN	35	12	YES
FG326-LED4	PAR36-LED	SMD LED	4	12	YES
FG326-LED6	PAR36-LED	SMD LED	6	12	YES
FG326-LED9	PAR36-LED	SMD LED	9	12	YES
FG326-LED9-RGBW	PAR36-LED	SMD LED	9	12	YES

Pre-wired with UL Listed Direct Burial Wire/Cable

- ▶ **Installation Type:** Rated for In-Ground Soil and Concrete Applications
- ▶ **Available Finish:** Black, Bronze
- ▶ **RGBW Lamp Requires/Remote:** P-RMT-DL-MR16-LED-4W-MC (sold separately)
- ▶ **ETL Approved**

Overall Dimensions: 5.87"H x 5.95"W x 5.95"D

Weight: 1.4 lbs

Approximate Wire Length: 17.00"

Box Dimensions: 6.63"H x 6.25"W x 6.25"D

*** Corrosion Resistant-Ocean Front Placement**

DABMAR
LIGHTING

DABMAR LIGHTING INCORPORATED

320 Graves Ave . Oxnard, CA 93030 . 805.604.9090 . f: 805.604.9050 . www.dabmar.com