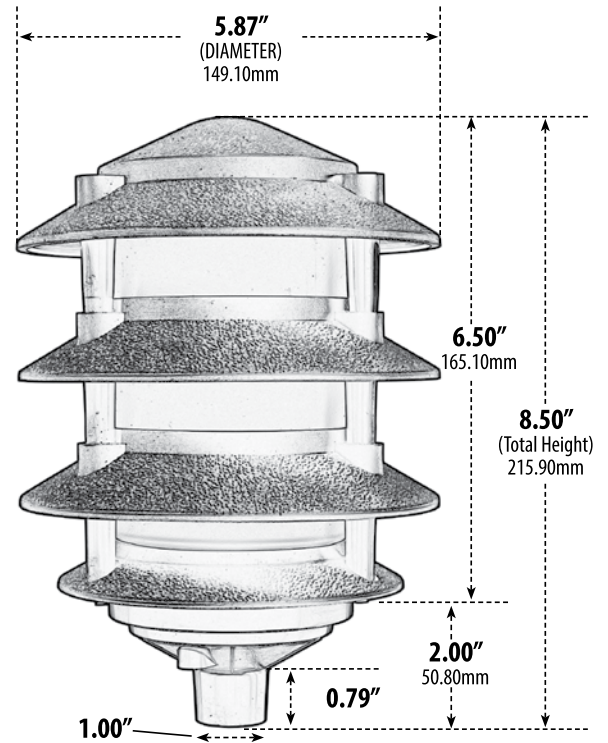


# FG5100

## FOUR-TIER PAGODA LIGHT PATH, WALKWAY AND AREA LIGHTING



- ▶ **Material:** Fiberglass
- ▶ **Lens:** Frosted, Heat Resistant, Tempered Glass

MODEL NUMBER	TOP DIA.	BOTTOM DIA.	LAMP TYPE	ILLUMINANT TYPE	WATTS (W)	VOLTS (V)	LAMP(S) INCLUDED?
FG5100	6"	1/2"	A-Type	INCANDESCENT	40	120	NO
FG5100-LED6	6"	1/2"	A-19-LED	Filament LED	6	120	YES
FG5100-LED12	6"	1/2"	G24-LED	LED	12	120-277	YES

- ▶ 1/2" NPT
- ▶ Riser Not Included
- ▶ Available Finish: Black, Bronze, Green
- ▶ ETL Approval Pending

Overall Dimensions:  
8.50"H x 6.50"W x 6.50"D

Weight: 1.98 lbs  
Approximate Wire Length: 16"  
Pagoda Head Only  
(No Stem or Ground Spike Included)  
Box Dimensions: 7.75"H x 6.25"W x 6.25"D



**DABMAR**  
LIGHTING

DABMAR LIGHTING INCORPORATED

320 Graves Ave . Oxnard, CA 93030 . 805.604.9090 . f: 805.604.9050 . www.dabmar.com