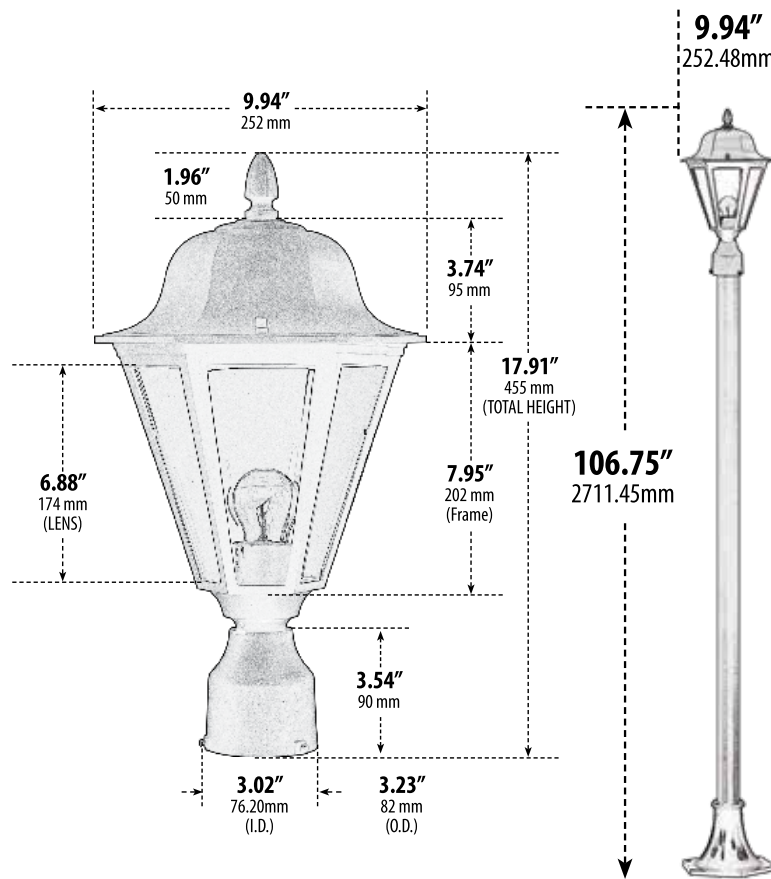


GM1301

POST, POST TOP



Overall Dimensions:
106.75"H x 9.94"W x 10.13"D

Weight: 22.04 lbs



- ▶ **Material:** Powder Coated Cast Aluminum
- ▶ **Lens:** Clear or Frosted, Heat Resistant, Tempered Glass
- ▶ **Available Finish:** Black, Bronze, White, Verde Green
- ▶ **ETL Approved**

MODEL NUMBER	LAMP TYPE	ILLUMINANT TYPE	WATTS (W)	VOLTS (V)	LAMP(S) INCLUDED?
GM1301**	A-Type	Incandescent	60	120	NO
GM1300	S13-GU24	Fluorescent	13	120	YES
GM1302	S26-GU24	Fluorescent	26	120	YES

**AVAILABLE IN 16W LED Add -LED16 to Model Number

Also Available in Frosted Lens

DABMAR
LIGHTING
DABMAR LIGHTING INCORPORATED