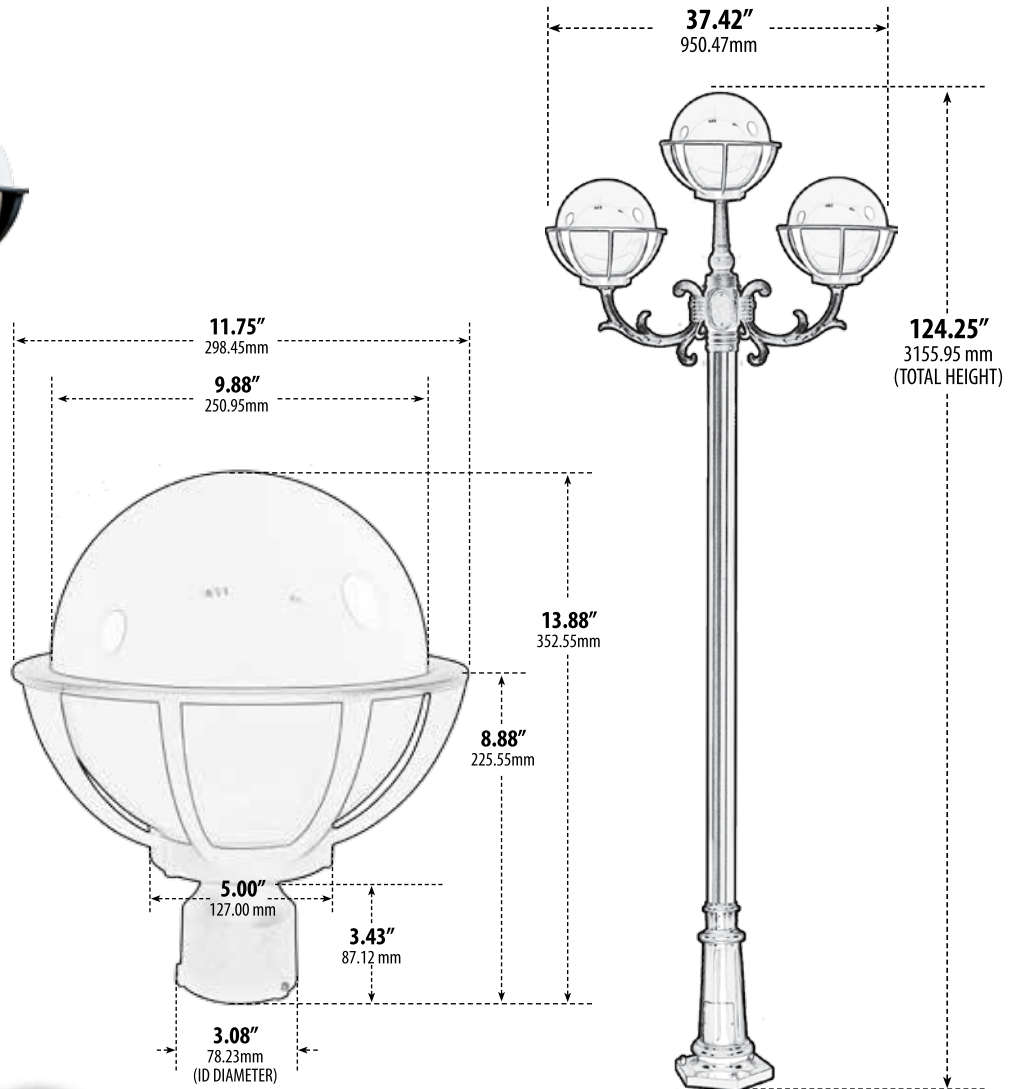


GM2630

POST FIXTURE



- ▶ **Material:** Powder Coated Cast Aluminum
- ▶ **Globe:** White, Heat Resistant, Polycarbonate
- ▶ **Available Finish:** Black, Verde Green
- ▶ **ETL Approval Pending**

Overall Dimensions:
124.25"H x 37.42"W x 12.25"D

Weight: 39.90 lbs

| MODEL NUMBER | LAMP TYPE | ILLUMINANT TYPE | WATTS (W) | VOLTS (V) | LAMP(S) INCLUDED? |
|--------------|-----------|-----------------|-----------|-----------|-------------------|
| GM2630** | A-Type | Incandescent | 3 x 60 | 120 | NO |
| GM2631 | S13-GU24 | Fluorescent | 3 x 13 | 120 | YES |
| GM2632 | S26-GU24 | Fluorescent | 3 x 26 | 120 | YES |

AVAILABLE IN 16W LED Add **-LED16 to Model Number

DABMAR
LIGHTING

DABMAR LIGHTING INCORPORATED

2140 Eastman Ave . Oxnard, CA 93030 . 805.604.9090 . f: 805.604.9050 . www.dabmar.com