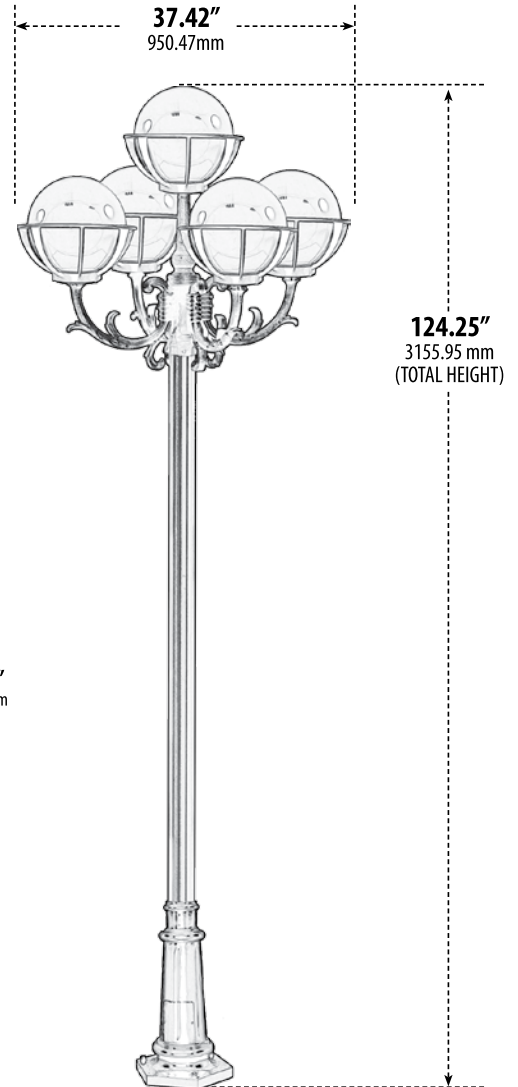
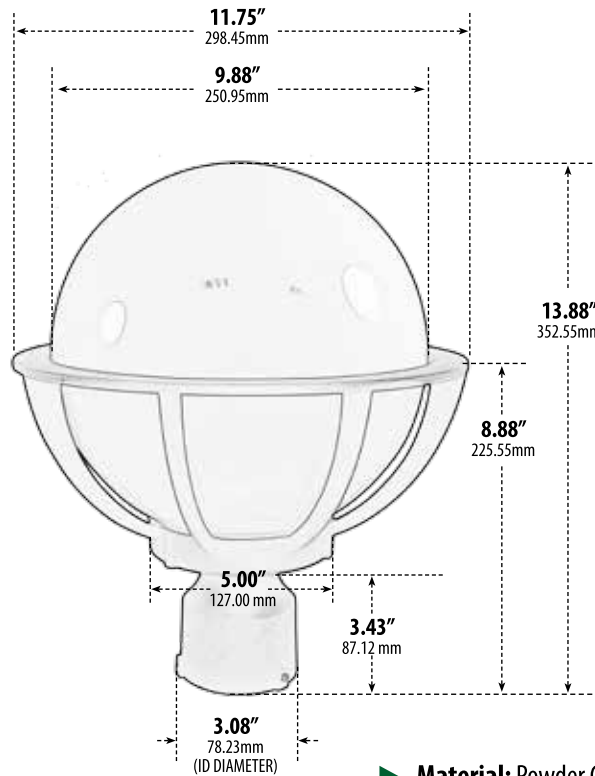
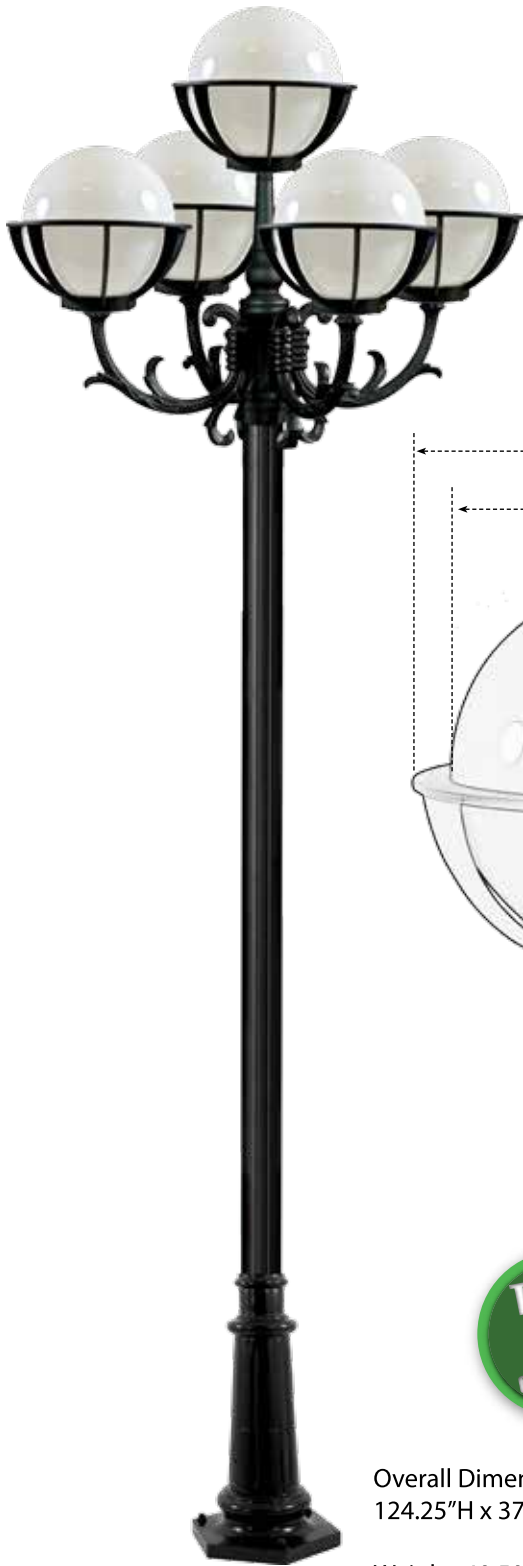


GM2680

POST FIXTURE



Overall Dimensions:
124.25"H x 37.42"W x 37.42"D

Weight: 49.50 lbs

- ▶ **Material:** Powder Coated Cast Aluminum
- ▶ **Globe:** White, Heat Resistant, Polycarbonate
- ▶ **Available Finish:** Black, Verde Green
- ▶ **ETL Approval Pending**

MODEL NUMBER	LAMP TYPE	ILLUMINANT TYPE	WATTS (W)	VOLTS (V)	LAMP(S) INCLUDED?
GM2680**	A-Type	Incandescent	5 x 60	120	NO
GM2681	S13-GU24	Fluorescent	5 x 13	120	YES
GM2682	S26-GU24	Fluorescent	5 x 26	120	YES

**AVAILABLE IN 16W LED Add -LED16 to Model Number

DABMAR
LIGHTING

DABMAR LIGHTING INCORPORATED

2140 Eastman Ave . Oxnard, CA 93030 . 805.604.9090 . f: 805.604.9050 . www.dabmar.com