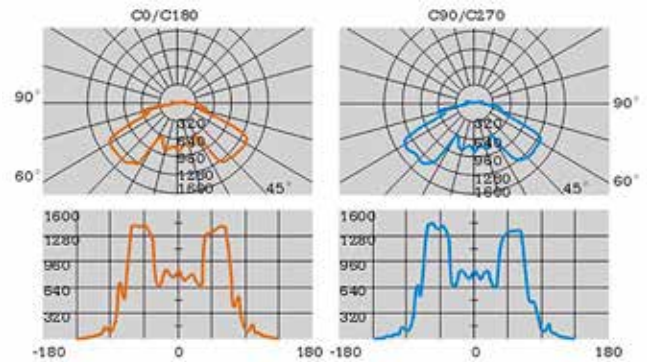


GM500

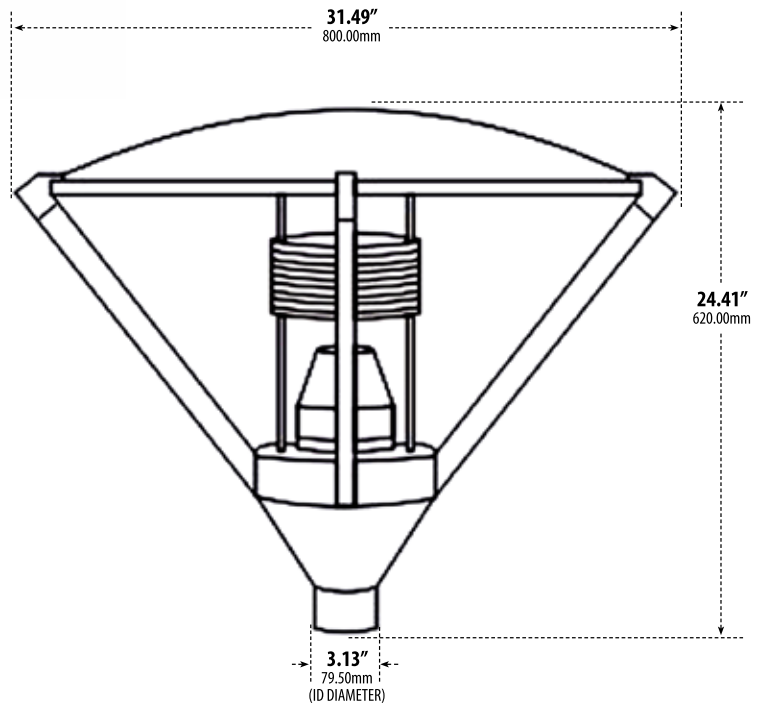
POST TOP FIXTURE



PHOTOMETRICS



- ▶ **Material:** Powder Coated Cast Aluminum
- ▶ **Lens:** Polycarbonate
- ▶ **Available Finish:** Black, Verde Green
- ▶ **ETL Approval Pending**



MODEL NUMBER	LAMP TYPE	ILLUMINANT TYPE	WATTS (W)	VOLTS (V)	LAMP(S) INCLUDED?
GM500	A-Type	Incandescent	60	120	NO
GM500-LED30	Tubular E26	LED	30	85-265	YES

Overall Dimensions:
24.41"H x 31.49"W x 31.49"D

Weight: 16.2 lbs
Approximate Wire Length: N/A
Box Dimensions: 28.00"L x 28.00"W x 25.75"D

DABMAR
LIGHTING

DABMAR LIGHTING INCORPORATED

2140 Eastman Ave . Oxnard, CA 93030 . 805.604.9090 . f: 805.604.9050 . www.dabmar.com