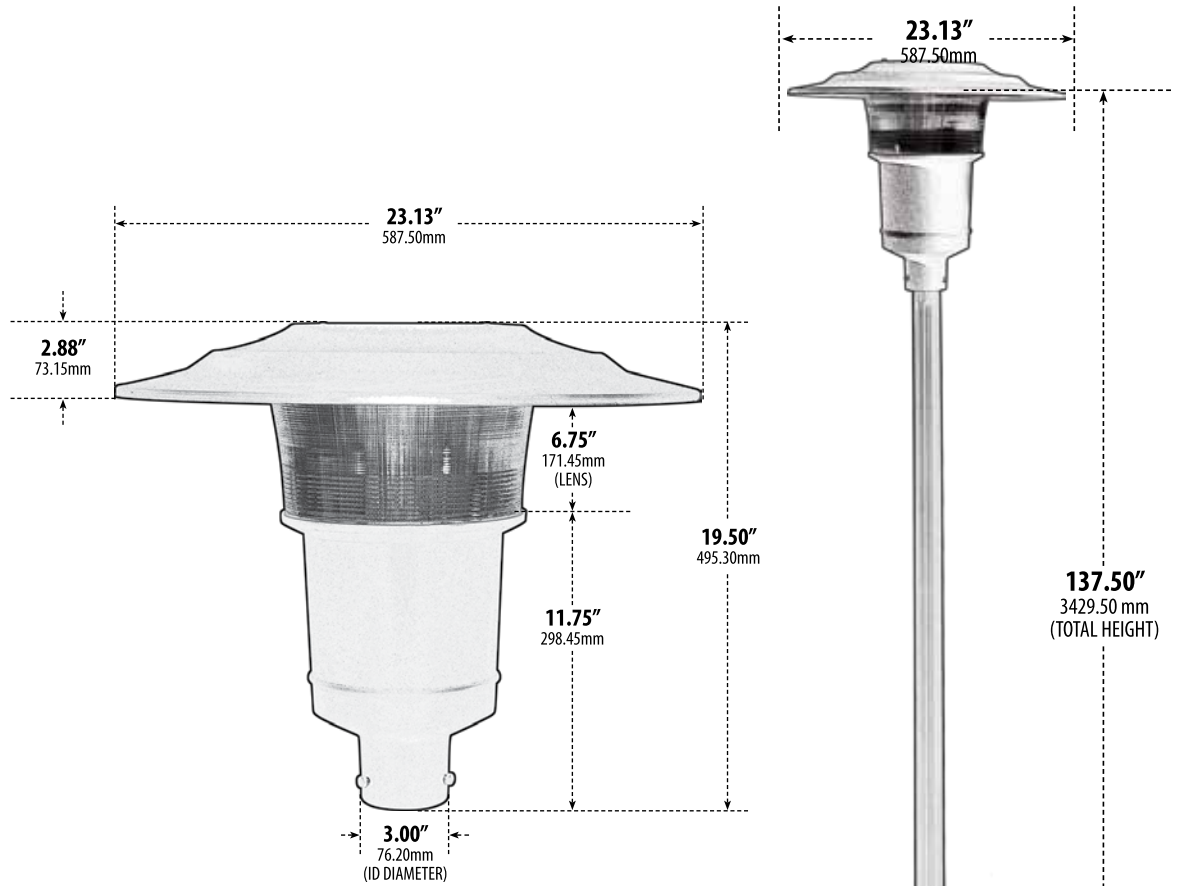


GM6500

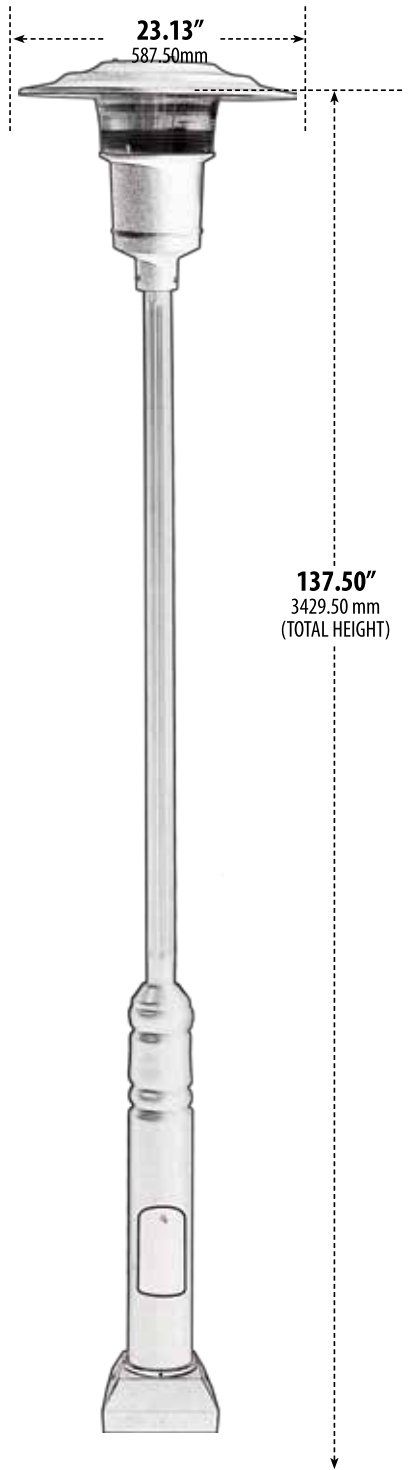
POST FIXTURE



- ▶ **Material:** Powder Coated Cast Aluminum
- ▶ **Lens:** Clear, Prismatic, Heat Resistant, Polycarbonate Lens
- ▶ **Available Finish:** Black, Bronze, Verde Green
- ▶ **ETL Approved**

MODEL NUMBER	LAMP TYPE	ILLUMINANT TYPE	WATTS (W)	VOLTS (V)	LAMP(S) INCLUDED?
GM6500**	HID	MH	70	120	YES
GM6500-MT	HID	MH	70	MT	YES
GM6510	HID	HPS	150	120	YES
GM6510-MT	HID	HPS	150	MT	YES
GM6520	HID	HPS	100	120	YES
GM6520-MT	HID	HPS	100	MT	YES
GM6530-100	HID	MH	100	120	YES
GM6530-100-MT	HID	MH	100	MT	YES
GM6530	HID	HPS	70	120	YES
GM6530-MT	HID	HPS	70	MT	YES
GM6550	A-Type	Incandescent	100	120	NO

**AVAILABLE IN 30W LED Add -LED30 to Model Number



Overall Dimensions:
137.50"H x 23.13"W x 23.13"D

Weight: 69.78 lbs

DABMAR
LIGHTING

DABMAR LIGHTING INCORPORATED

2140 Eastman Ave . Oxnard, CA 93030 . 805.604.9090 . f: 805.604.9050 . www.dabmar.com