

GM9270

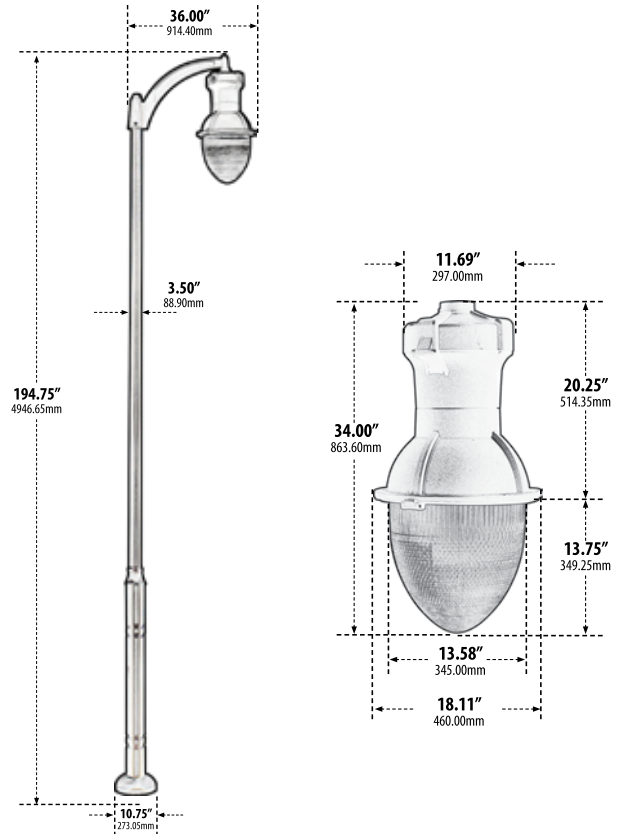
POST FIXTURE - SINGLE ARM



Overall Dimensions:
200.00"H x 36.00"W x 18.11"D

Weight Post: 80 lbs each
Weight: (Arm) 10.8 lbs
Weight: (Head) 29 lbs
Weight Post Base: 10 lbs each

Total Approx Weight: 129.8 lbs



- ▶ **Material:** Powder Coated Cast Aluminum
- ▶ **Lens:** Clear, Prismatic, Heat Resistant, Polycarbonate
- ▶ **Available Finish:** Black, Verde Green
- ▶ **ETL Approved**

MODEL NUMBER	LAMP TYPE	ILLUMINANT TYPE	WATTS (W)	VOLTS (V)	LAMP(S) INCLUDED?
GM9270-INC	A-Type	Incandescent	100	120	NO
GM9270**	HID	HPS/MOG	70	120	YES
GM9270-MT	HID	HPS/MOG	70	MT	YES
GM9271	HID	HPS/MOG	100	120	YES
GM9271-MT	HID	HPS/MOG	100	MT	YES
GM9272	HID	HPS/MOG	150	120	YES
GM9272-MT	HID	HPS/MOG	150	MT	YES
GM9273-MT	HID	HPS/MOG	250	MT	YES
GM9274	HID	MH/MOG	70	120	YES
GM9274-MT	HID	MH/MOG	70	MT	YES
GM9275	HID	MH/MOG	100	120	YES
GM9275-MT	HID	MH/MOG	100	MT	YES
GM9276	HID	MH/MOG	150	120	YES
GM9276-MT	HID	MH/MOG	150	MT	YES
GM9277	HID	MH/MOG	175	120	YES
GM9277-MT	HID	MH/MOG	175	MT	YES
GM9278-MT	HID	MH/MOG	250	MT	YES

**AVAILABLE IN 75W LED Add -LED75 to Model Number

**AVAILABLE IN 120W LED Add -LED120 to Model Number

DABMAR
LIGHTING
DABMAR LIGHTING INCORPORATED

2140 Eastman Ave . Oxnard, CA 93030 . 805.604.9090 . f: 805.604.9050 . www.dabmar.com