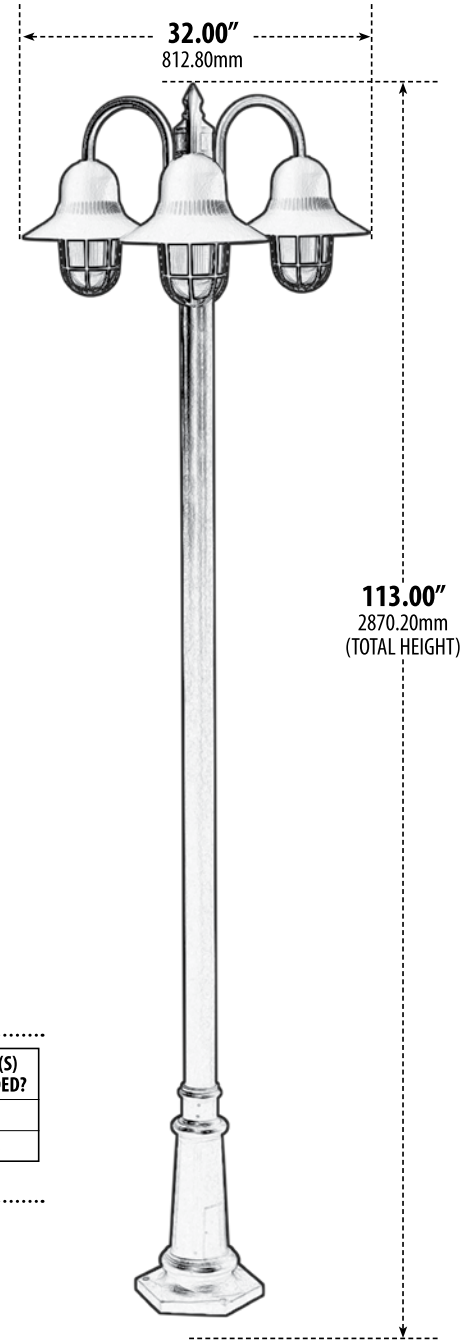
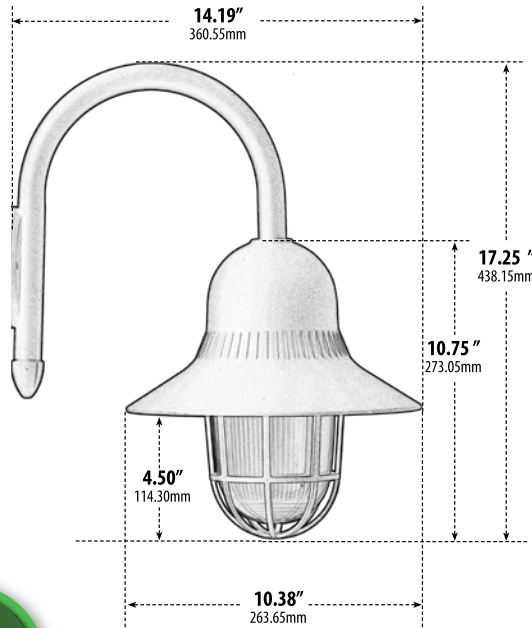


# GM9913

## POST FIXTURE



- ▶ **Material:** Powder Coated Cast Aluminum
- ▶ **Lens:** Frosted, Heat Resistant, Tempered Glass
- ▶ **Available Finish:** Black, Bronze, Verde Green
- ▶ **ETL Approved**

MODEL NUMBER	LAMP TYPE	ILLUMINANT TYPE	WATTS (W)	VOLTS (V)	LAMP(S) INCLUDED?
GM9913**	A-Type	Incandescent	3 x 60	120	NO
GM9920	S13-GU24	Fluorescent	3 x 13	120	YES

\*\*AVAILABLE IN 16W LED Add -LED16 to Model Number

Overall Dimensions:  
113.00"H x 32.00"W x 14.19"D

Weight: 41.40 lbs

**DABMAR**  
LIGHTING

DABMAR LIGHTING INCORPORATED

320 Graves Ave . Oxnard, CA 93030 . 805.604.9090 . f: 805.604.9050 . www.dabmar.com