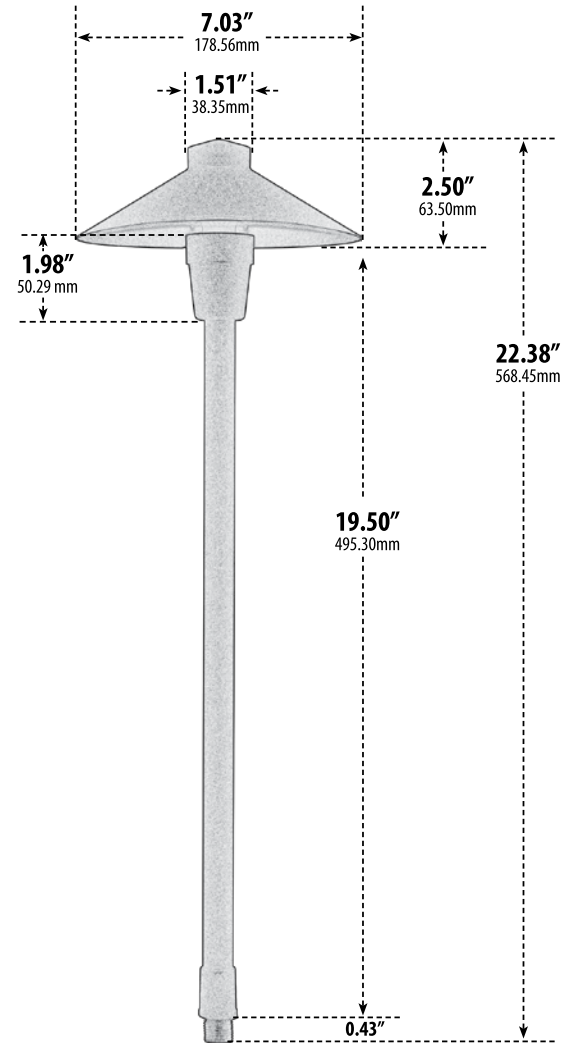


LV13

PATH, WALKWAY AND AREA LIGHT



- ▶ **Material:** Powder Coated Cast Aluminum
- ▶ **Lens:** White Reflector with Clear Plastic Diffuser
- ▶ **Lamp:** JC Bi-Pin Base (20W Maximum) Available in 30K or 64K (LED)

MODEL NUMBER	LAMP TYPE	ILLUMINANT TYPE	WATTS (W)	VOLTS (V)	LAMP(S) INCLUDED?
LV13	JC	HALOGEN	20	12	YES
LV-LED13	JC-LED	LED	2.5	12	YES

Pre-wired with UL Listed Direct Burial Wire/Cable

- ▶ **1/2" NPT**
- ▶ **Ground Spike Included for Installation**
- ▶ **Connector Available:** P-CN01 (sold separately)
- ▶ **Available Finish:** Black, Bronze
- ▶ **ETL Approval Pending**

Overall Dimensions:
22.38"H x 7.03"W x 7.03"D

Maximum Height: 22.38"
Width: 7.03"
Maximum Depth: 7.03"

Weight: 0.8 lbs
Approximate Wire Length: 37"
Box Dimensions:
18.19"H x 7.13"W x 5.88"D



DABMAR LIGHTING INCORPORATED

320 Graves Ave . Oxnard, CA 93030 . 805.604.9090 . f: 805.604.9050 . www.dabmar.com