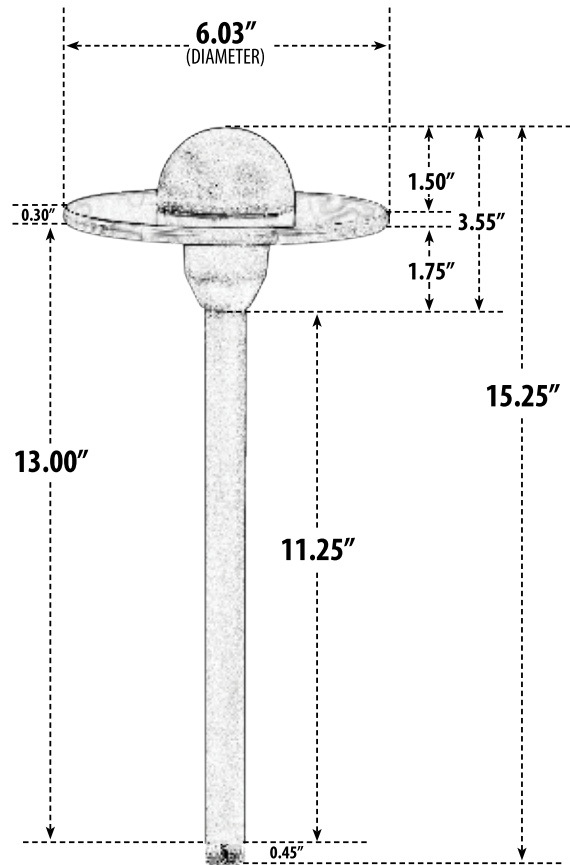


LV204

PATH, WALKWAY AND AREA LIGHT



- ▶ **Material:** Powder Coated Cast Aluminum
- ▶ **Lens:** Clear, Heat Resistant, Tempered Glass
- ▶ **Lamp:** JC Bi-Pin Base (20W Maximum) Available in 30K or 64K (LED)

MODEL NUMBER	LAMP TYPE	ILLUMINANT TYPE	WATTS (W)	VOLTS (V)	LAMP(S) INCLUDED?
LV204	JC	HALOGEN	20	12	YES
LV-LED204	JC-LED	LED	2.5	12	YES

Pre-wired with UL Listed Direct Burial Wire/Cable

- ▶ 1/2" NPT
- ▶ **Ground Spike Included for Installation**
- ▶ **Connector Available:** P-CN01 (sold separately)
- ▶ **Available Finish:** Verde Green
- ▶ **ETL Approved**

Overall Dimensions:
15.25"H x 6.03"W x 6.03"D

Maximum Height: 15.25"
Width: 6.03"
Maximum Depth: 6.03"

Weight: 1.40 lbs
Approximate Wire Length: 24"
Box Dimensions:
11.13"H x 6.50"W x 3.75"D

DABMAR
LIGHTING

DABMAR LIGHTING INCORPORATED

320 Graves Ave . Oxnard, CA 93030 . 805.604.9090 . f: 805.604.9050 . www.dabmar.com