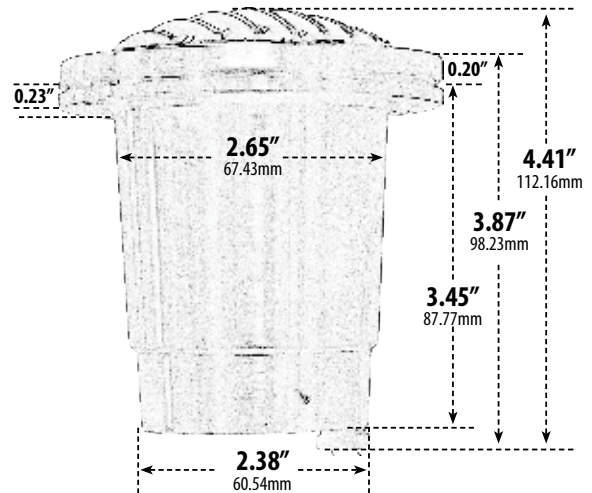
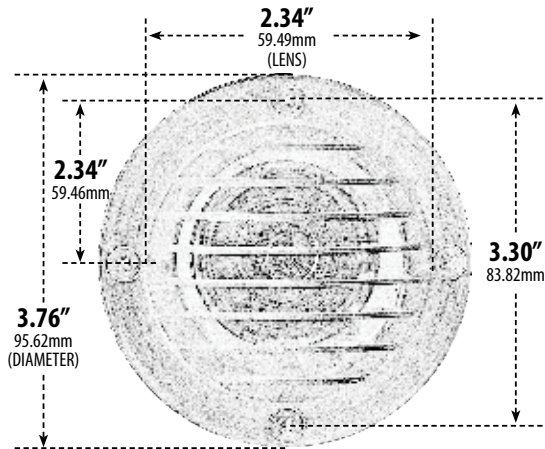


# LV24

## IN-GROUND WELL LIGHT WITH GRILL



- ▶ **Material:** Cast Brass
- ▶ **Lens:** Clear, Heat Resistant, Tempered Glass
- ▶ **Lamp:** MR16 Bi-Pin Base (50W Maximum) Available in 27K or 65K

MODEL NUMBER	LAMP TYPE	ILLUMINANT TYPE	WATTS (W)	VOLTS (V)	LAMP(S) INCLUDED?
LV24	MR16	HALOGEN	20	12	YES
LV24-LED3	MR16-LED	LED	3	12	YES
LV24-LED5	MR16-LED	LED	5	12	YES
LV24-LED7	MR16-LED	LED	7	12	YES
LV24-LED4-RGBW	MR16-LED	LED	4	12	YES

Pre-wired with UL Listed Direct Burial Wire/Cable

- ▶ **Installation Type:** Rated for In-Ground Soil and Concrete Applications
- ▶ **Available Finish:** Weathered Brass
- ▶ **RGBW Lamp Requires/Remote:** P-RMT-DL-MR16-LED-4W-MC (sold separately)
- ▶ **ETL Approved**

Overall Dimensions:  
4.30"H x 4.83"W x 4.83"D

Weight: 2.0 lbs  
Approximate Wire Length: 17"  
Box Dimensions:  
4.69"H x 4.04"W x 4.00"D

**DABMAR**  
LIGHTING  
DABMAR LIGHTING INCORPORATED