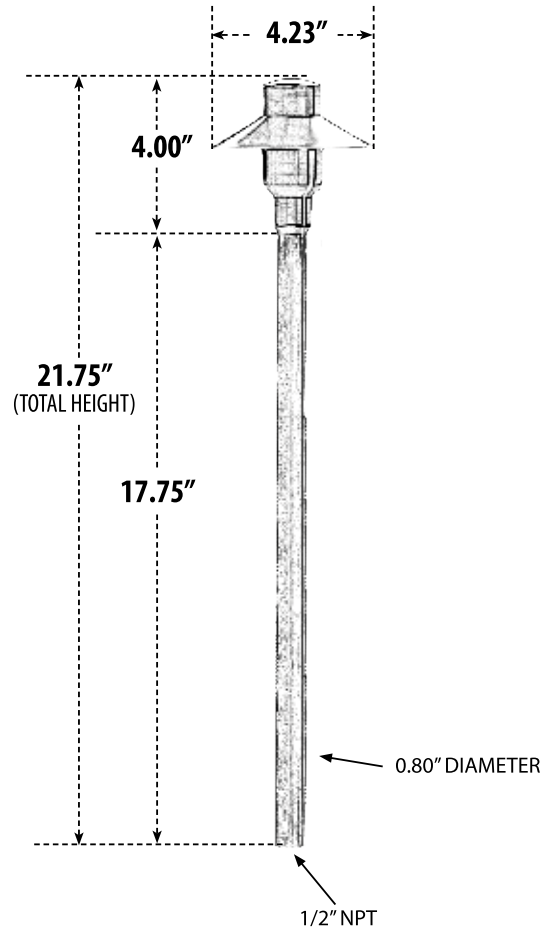


# LV74

## PATH, WALKWAY AND AREA LIGHT



- ▶ **Material:** Brass
- ▶ **Lens:** Clear, Heat Resistant, Tempered Glass
- ▶ **Lamp:** JC Bi-Pin Base (20W Maximum) Available in 30K or 64K (LED)

MODEL NUMBER	LAMP TYPE	ILLUMINANT TYPE	WATTS (W)	VOLTS (V)	LAMP(S) INCLUDED?
LV74	JC	HALOGEN	20	12	YES
LV-LED74	JC-LED	LED	2.5	12	YES
LV-LED74-AMB	JC-LED	LED	3.0	12	YES

Pre-wired with UL Listed Direct Burial Wire/Cable

- ▶ **Amber Lamp:** Silicone G4 Bi-Pin (Turtle Friendly)
- ▶ **1/2" NPT**
- ▶ **Ground Spike Included for Installation**
- ▶ **Connector Available:** P-CN01 (sold separately)
- ▶ **Available Finish:** Antique Brass, Antique Bronze
- ▶ **ETL Approved**

Overall Dimensions:  
22.25"H x 4.23"W x 4.23"D

Maximum Height: 22.25"  
Width: 4.23"  
Maximum Depth: 4.23"

Weight: 1.20 lbs  
Approximate Wire Length: 20"  
Box Dimensions:  
22.25"H x 4.00"W x 3.88"D

**DABMAR**  
LIGHTING

DABMAR LIGHTING INCORPORATED

320 Graves Ave . Oxnard, CA 93030 . 805.604.9090 . f: 805.604.9050 . www.dabmar.com  
4693 19th Street Ct E . Bradenton, FL 34203