

# 4" 0-10V New Construction 2-Hour Fire Rated Housing

4" Fire rated new construction LED housing. Compatible with 4" 0-10V LED Inserts. 2-hour fire rated.



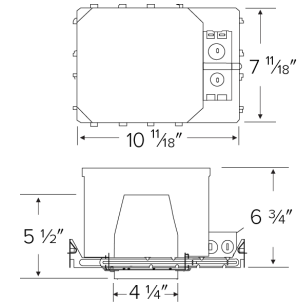
## Features

- Wired for 0-10V Dimming
- Single wall IC Airtight rated for Direct Contact with Insulation
- 120/277V Input
- Meets restricted air flow requirements (per ASTM E-283)
- UL Listed for direct contact with Insulation
- UL Listed for Damp Locations
- UL Listed for Wet Location with Wet Location Rated Inserts
- UL Listed for Feed Through
- CA Title 24 Compliant

## Specifications

<b>Wattage</b>	14W
<b>Voltage</b>	120/277V
<b>Wet Location</b>	Listed
<b>Damp Location</b>	Listed

## Dimensions



## Technical Details

### Construction:

- Double wall IC rated for direct contact with insulation. For use in IC and non-IC conditions.
- Housing adjusts in frame to accommodate up to 1 1/2" ceiling thickness.
- Airtight housing with gasket to restrict airflow in accordance with ASTM E-283 air-tight requirements.

### Installation:

- Designed for ceiling plenums where 2x8 joists or taller are used.
- High strength hanger bars can easily be nailed to joists.
- Suitable for T-grid and drop ceiling applications.
- See installation sheet for detailed information.

**Junction Box:** Positioned to accommodate straight conduit runs. Two 3/4" knockouts, Seven 1/2" trade size conduit knockouts, One 3/8" knockout. Four Pry-out knockout slots for easy romex installation.

**Emergency Battery Pack:** Optional 90 minute battery pack available with test indicator switch. Note that double wall housings require Access From Above Ceiling for Battery Maintenance.

**Hanger Bars:** Pre Installed hanger bars with True Nail easy installation in regular lumber, engineered lumber, and Laminated Beams. Integral T-bar slots for easy installation in T-Bars. Spans up 24" and can be repositioned 90°. Score lines allow for tool-free hanger bar size reduction. Integral leveling flange allows for single-person installation while easily aligning the housings with the joists.

**Listings:** UL Listed for Damp Location and for Wet Location with select trims. UL Listed for Direct Contact with Insulation and Combustible Material. UL Listed for Feed Through.

## Product Number

Item	Description	Watts	Voltage
EL49FICDXA	4" New Construction 2 Hour Fire Rated Housing	14W	120/277V

# Compatible Products



For use with Dedicated 4" IC LED Housings

## 4" Ply™ 0-10V Dimmable, 120/277V LED Inserts



**Round Insert**

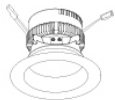
**EL495**

Finishes:

(DW, DHW, DCW)

### PRODUCT NUMBER BUILDER

4" 120/277V LED Inserts	Color Temperature	Finish
<b>EL495</b>	<b>30</b> 3000K (800 lm) <b>35</b> 3500K (850 lm) <b>40</b> 4000K (900 lm)	<b>DW</b> All White <b>DHW</b> Haze w/White Ring <b>DCW</b> Chrome w/White Ring





**Round Insert with 5-CCT and 3-Lumen Switch**

**EL475CT5DW**

All White

CAT NO.	COLOR TEMPERATURE	LUMENS
EL475CT5DW	5-CCT Switch 2700K, 3000K, 3500K, 4000K, 5000K	3-Lumen Switch 850 lm, 1000 lm, 1500 lm

## 4" Ply™ 0-10V Dimmable, 120/277V Adjustable LED Inserts



**Round Adjustable Gimbal**

**EL414**

Finishes:

(DXW, DXB)



**Round Adjustable Insert**

**EL497**

Finishes:

(DXW, DXB, DXBZ DXN)



**Square Adjustable Insert**

**EL447**

Finishes:

(DXW, DXB, DXBZ DXN)

### ACCESSORIES



**Interchangeable Lens**  
(For EL497 & EL447 Series only)

**EP710C** 20° Beam  
**EP712C** 60° Beam

### PRODUCT NUMBER BUILDER

4" 120/277V Adjustable LED Inserts	Style	Color Temperature	Finish
<b>EL4</b>	<b>14</b> Adjustable Gimbal <b>97</b> Round Adjustable <b>47</b> Square Adjustable	<b>27D</b> 2700K <b>30D</b> 3000K	<b>DXW</b> All White <b>DXB</b> All Black <b>DXBZ</b> All Bronze <b>DXBN</b> All Nickel