

# MIDWAY

RECESSED COLLECTION



6"

## 45378 ROUND FIXED DOWNLIGHT



The Midway collection is a family of integrated led recessed lights available in sizes ranging from 2"-6". With their durable die cast aluminum bodies and built on CCT color selecting switch Midway family fixtures are aesthetically appealing, functional and extremely versatile. Their IC rated shallow bodies allow them to be used in most residential and commercial installations with or without insulation in the ceiling. Midway fixtures are available in white or black finish and come standard with a reliable phase dimming power supply.

PROJECT: \_\_\_\_\_

TYPE: \_\_\_\_\_

DATE: \_\_\_\_\_

NOTES: \_\_\_\_\_

ADJUSTABLE  
CCT

2700K . 3000K . 3500K . 4000K . 5000K

### SPECIFICATIONS

#### LIGHT HOUSING

- IC Airtight Cast aluminum body.
- Remodel application. C/W spring loaded clips.
- Mates to driver box with quick connector.
- Max Ceiling thickness 5/8".
- Approved for damp location.

#### DIMENSIONS

- Cut hole:  $\phi 6 \frac{1}{4}$ ".
- Fixture:  $\phi 7 \frac{1}{4}$ " x 3"H.

#### ELECTRICAL

- 120 V Input class 2 constant current dimmable driver enclosed in junction box.
- TRIAC and ELV dimming.
- Min operating temperature (-4°F~-104°F)(-20°C~-40°C).

#### LIGHT MODULE

- 1 x 24W Integrated LED COB.
- Lumen maintenance 70% 50,000 hrs.
- CRI: 90+
- Beam angle: 38 degree.
- Kelvin (CCT): 27K | 30K | 35K | 40K | 50K
- Delivered Lumen: 1405 lm | 1555 lm | 1734 lm | 1798 lm | 1789 lm

#### CERTIFICATIONS



### ORDERING GUIDE

MODEL	FINISH
45378-027	Black
45378-010	White

### ACCESSORIES



**45611-018**  
60"  
2 pin Connector



**45380-013**  
NEW CONSTRUCTION  
SMASH PLATE  
17 1/4" x 8 3/8"  
 $\phi 6 \frac{1}{4}$ "



**NO IC BOX  
REQUIRED**

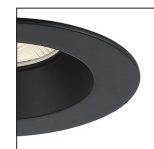
	WATTS	LUMENS	KELVIN	DIMMABLE	CRI	BEAM ANGLE	ADJUSTABLE
$\phi 6 \frac{1}{4}$ "	24W	Up to 1798	CCT Selectable	TRIAC/ELV	90+	38°	NO



PRODUCT DIMENSIONS



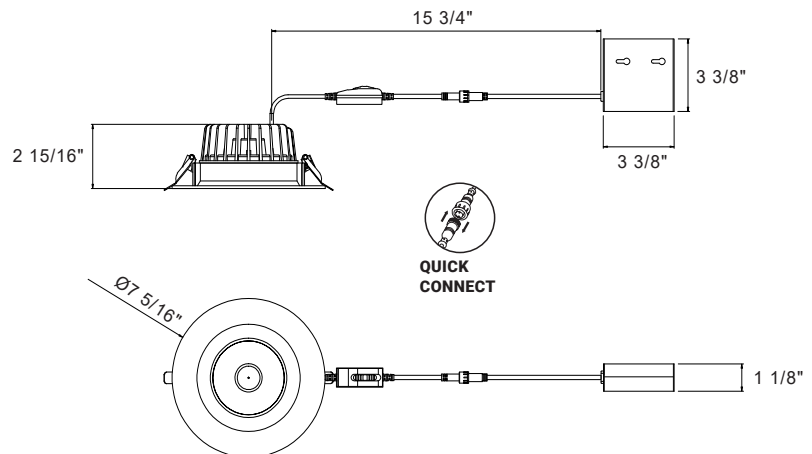
#### FINISHES



027- Black



010- White



QUICK  
CONNECT