

NIO-1RNB

1" Iolite NTF Round Bullnose Reflector

Source: 9W or 10W LED
600lm

Type

Project

Catalog No.

Notes

PRODUCT DESCRIPTION

1" Iolite NTF reflectors can be specified for use with Iolite new construction housings. Bullnose reflector with a filleted aperture which allows for minimal aperture brightness while still producing the nadir footcandles.

FEATURES

- 600lm / 9W or 10W
- 2700K, 3000K, 3500K, 4000K, 5000K @ 90+ CRI
- Cree® LED COB or Comfort Dim Technology
- 60° (Flood) optic installed, 40° (Narrow flood) and 20° (Spot) optics included
- 5-Year limited warranty

SPECIFICATION

Construction: Reflectors are constructed of heat dissipating, die-cast aluminum. The aluminum die-cast LED heat sink is threaded to fit the reflector and transfer heat.

Mounting: Reflector includes friction blades to mount securely to housing.

Field Changeable Optics: Each reflector comes with a 60° (installed), 40° and 20° optics (included).

ELECTRICAL

Lumens / Wattage: 600lm / wattage varies by housing (9W / LE3 or 10W / LE4)

Color Temperature: 2700K, 3000K, 3500K, 4000K, 5000K

CRI: 90+CRI

Operating Temp.: 0°C to 40°C ambient temperature

Lifetime: 50,000 hours @ L70

Comfort Dim: Comfort Dim color tunes the temperature from a bright 3000K, to a romantic and comfortable 1900K on a gradual, even curve.

Dimming: Specified by housing

COMPATIBLE HOUSINGS

Reflectors are compatible with respective Iolite housings manufactured by Nora Lighting.

CATALOG NO.	DESCRIPTION	LUMENS / WATTAGE
NHIOICD-16LE3	ICAT New Construction, 120V; Triac/ELV	600lm / 9W
NHIOICD-16LE4	ICAT New Construction, 120-277V; Triac/ELV/0-10V	600lm / 10W
NHIOICDCP-16LE3	Chicago Plenum, 120V; Triac/ELV	600lm / 9W
NHIOICDCP-16LE4	Chicago Plenum, 120-277V; Triac/ELV/0-10V	600lm / 10W

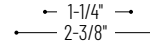
Accessories: Reflectors will accommodate (1) hex louver and (1) translucent deco collar or opaque snoot, no accessory holder is required, see accessories page.

LABELS AND LISTINGS

- cULus Listed for Wet Locations
- ENERGY STAR certified
- [5-Year Limited Warranty](#)
- RoHS Compliant
- Certified to the high efficacy requirements of California Title 24 JA8-2019



PRODUCT IMAGES & DIMENSIONS



NIO-1RNB
Round Bullnose Reflector
Non-Adjustable



BB
Black



BZ
Bronze



MPW
Matte Powder White



NN
Natural Metal



WW
White

1" Iolite NTF Round Bullnose Reflector - Dedicated New Construction Required

Reflector Type	Color Temp.	Finish
NIO-1RNB = Round Bullnose	27X = 2700K	BB = Black
	30X = 3000K	BZ = Bronze
	35X = 3500K	MPW = Matte Powder White
	40X = 4000K	NN = Natural Metal
	50X = 5000K	WW = White
	CDX = Comfort Dim (3000K-1900K) [†]	

[†] Comfort Dim technology uses non-Cree COB modules. 1" Comfort Dim uses a different dimming curve than 2" & 4" Comfort Dim

Compatible Housings

Housing Type
NHIOICD-16LE3 = ICAT New Construction / Triac/ELV / 600lm / 9W
NHIOICD-16LE4 = ICAT New Const. / Triac/ELV/0-10V / 600lm / 10W
NHIOICDCP-16LE3 = Chicago Plenum / Triac/ELV / 600lm / 9W
NHIOICDCP-16LE4 = Chicago Plenum / Triac/ELV/0-10V / 600lm / 10W

Example: **NIO-1RNB27XWW** = 1" Iolite NTF Round Bullnose Reflector, 2700K, White finish, 600lm

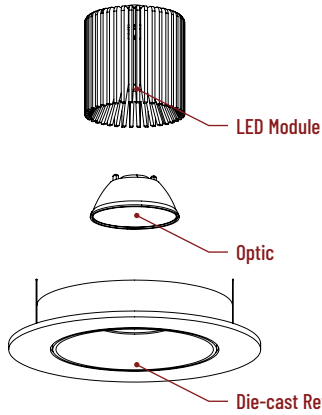
1" Iolite Accessories

1" Iolite NTF Round Bullnose Reflector

Type	
Project	
Catalog No.	
Notes	

FIELD CHANGEABLE OPTICS

Iolite reflectors include 20°, 40° and 60° optics. Optics can be changed in the field by removing LED module from die-cast reflector. Replacement optics include an optional frosted lens.



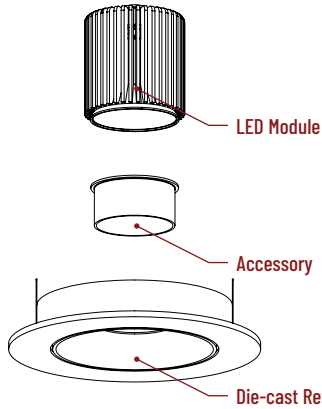
Frosted Filter-Optic

- NIO-IREFL20FR
- NIO-IREFL40FR
- NIO-IREFL60FR

- 20° Optic
- 40° Optic
- 60° Optic

ACCESSORIES

Iolite accessories can be added at any point in the design process. Accessories easily install between LED module and die-cast reflector. Luminaire will accommodate (1) hex louver and (1) collar accessory, no accessory holder required.



Translucent Decorative Collar

- NIO-1AS15(color) 5/8" length
 - NIO-1AS19(color) 3/4" length
 - NIO-1AS24(color) 1" length
- Color:**
AM (amber), BLU (blue), FR (frosted), R (red)

Translucent collars color the aperture with the specified color while producing white general light. Collars are available in different lengths. Use to add interest, create a theme, match a theme or define a space.



Opaque Collar Snoot

- NIO-1AS15(color) 5/8" length
 - NIO-1AS19(color) 3/4" length
 - NIO-1AS24(color) 1" length
- Color:**
BLK (black), MPW (matte powder white), WH (white)

Opaque snoot greatly reduces aperture brightness while preserving light output. (Note: Black snoot will reduce light)



Hex Cell Louver

- NIO-1HC Black
- Hex cell louver subtly reduces aperture brightness by reducing light output by about 20%.

PHOTOMETRICS

1" Iolite NTF Round Bullnose Reflector
600 lumens

Type

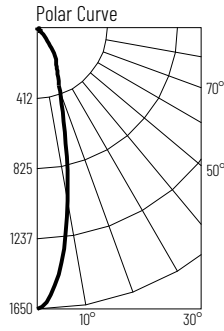
Project

Catalog No.

Notes

Test Information

Test Number: NTR11201
Part Number: N10-1RNB27MPW
Beam Spread: 24° Spot
Lumens: 587lm
Wattage: 9.37W
Efficacy: 63lpw
CCT / CRI: 2700K / 90 CRI
Spacing Criteria (0°-180): 0.42
Spacing Criteria (90°-270): 0.42



Illuminance at a Distance

Distance from Luminaire	FC at Nadir	Beam Diameter
4'	103fc	1'-10"
6'	45.8fc	2'-7"
8'	25.8fc	3'-6"
10'	16.5fc	4'-5"
12'	11.5fc	5'-4"

Zonal Lumen Summary

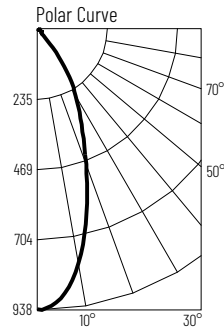
Zone	Lumens	% Luminaire
0-30	433	73.8
0-40	532	90.6
0-60	572	97.5
0-90	586	99.8
90-180	1	0.2
0-180	587	100

Candela Table

Vertical Angles	Candela
0	1650
5	1454
15	633
25	280
35	163
45	28

Test Information

Test Number: NTR11217
Part Number: N10-1RNB27MPW
Beam Spread: 40° Narrow Flood
Lumens: 590lm
Wattage: 9.46W
Efficacy: 62lpw
CCT / CRI: 2700K / 90 CRI
Spacing Criteria (0°-180): 0.66
Spacing Criteria (90°-270): 0.66



Illuminance at a Distance

Distance from Luminaire	FC at Nadir	Beam Diameter
4'	58.5fc	3'
6'	26fc	4'-6"
8'	14.6fc	6'
10'	9.4fc	7'-6"
12'	6.5fc	8'-11"

Zonal Lumen Summary

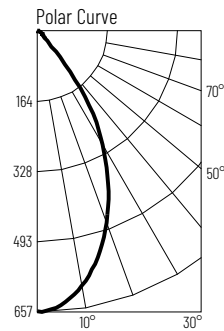
Zone	Lumens	% Luminaire
0-30	421	71.3
0-40	527	89.3
0-60	571	96.8
0-90	589	99.8
90-180	1	0.2
0-180	590	100

Candela Table

Vertical Angles	Candela
0	935
5	899
15	639
25	351
35	174
45	26

Test Information

Test Number: NTR11232
Part Number: N10-1RNB27MPW
Beam Spread: 57° Flood
Lumens: 588lm
Wattage: 9.43W
Efficacy: 62lpw
CCT / CRI: 2700K / 90 CRI
Spacing Criteria (0°-180): 0.86
Spacing Criteria (90°-270): 0.88



Illuminance at a Distance

Distance from Luminaire	FC at Nadir	Beam Diameter
4'	41fc	4'-5"
6'	18.2fc	6'-7"
8'	10.2fc	8'-10"
10'	6.6fc	11'
12'	4.6fc	13'-2"

Zonal Lumen Summary

Zone	Lumens	% Luminaire
0-30	392	66.6
0-40	521	88.6
0-60	569	96.7
0-90	586	99.6
90-180	2	0.4
0-180	588	100

Candela Table

Vertical Angles	Candela
0	656
5	642
15	546
25	393
35	213
45	32

Lumen Output Multipliers

Color Temperature: 2700K (1.00), 3000K (1.11), 3500K (1.12), 4000K (1.11), 5000K (1.14)