

NI0B-2RG

2" Iolite Round Adjustable Gimbal

Source: 14W to 28W LED
800lm to 2500lm

Type

Project

Catalog No.

Notes

PRODUCT DESCRIPTION

2" Iolite reflectors can be specified for use with Iolite new construction or remodel housings. Die-cast adjustable surface gimbals adjust to aim the light source in desired direction.

FEATURES

- 800lm, 1000lm, 1500lm, 2000lm or 2500lm LED packages
- 2700K, 3000K, 3500K, 4000K, 5000K @ 90+ CRI
- Comfort Dim (warm dimming) also available in 800lm only
- 60° (Flood) optic installed, 38° (Narrow flood) and 25° (Spot) optics included
- 5-Year limited warranty

SPECIFICATION

Construction: Reflectors are constructed of heat dissipating, die-cast aluminum. The aluminum die-cast LED heat sink is threaded to fit the reflector and transfer heat.

Mounting: Reflector includes friction blades to mount securely to housing.

OPTICS

800-1000lm: Each reflector includes field changeable optics (25° spot, 38° narrow flood and 60° flood - preinstalled). Premium 15° and 25° TIR optics are also available.

1500-2500lm: Each reflector includes field changeable TIR optics (30° spot, 45° narrow flood - preinstalled and 65° flood).

ELECTRICAL

Lumens / Wattage: 800lm / 14W, 1000lm / 14W, 1500lm / 20W, 2000lm / 24W, 2500lm / 28W

Color Temperature: 2700K, 3000K, 3500K, 4000K, 5000K

CRI: 90+CRI

Operating Temp.: 0°C to 40°C ambient temperature

Lifetime: 50,000 hours @ L70

Comfort Dim: Comfort Dim color tunes the temperature from a bright 3100K, to a romantic and comfortable 2000K on a gradual, even curve. Available in 800lm only.

Dimming: Specified by housing

COMPATIBLE HOUSINGS

Reflectors are compatible with respective Iolite housings manufactured by Nora Lighting.

| CATALOG NO. | DESCRIPTION | LUMENS / WATTAGE |
|--------------|-----------------------|------------------|
| NH0ICD-28 | ICAT New Construction | 800-1000lm / 14W |
| NH0ICDCP-28 | Chicago Plenum | 800-1000lm / 14W |
| NHR0IC-28 | ICAT Remodel | 800-1000lm / 14W |
| NH0ICD-215 | ICAT New Construction | 1500lm / 20W |
| NH0ICDCP-215 | Chicago Plenum | 1500lm / 20W |
| NH0ICD-220 | ICAT New Construction | 2000lm / 24W |
| NH0ICDCP-220 | Chicago Plenum | 2000lm / 24W |
| NH0ICD-225 | ICAT New Construction | 2500lm / 28W |
| NH0ICDCP-225 | Chicago Plenum | 2500lm / 28W |

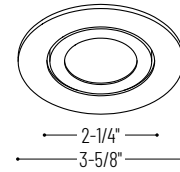
Accessories: Reflectors will accommodate (1) hex louver and (1) translucent deco collar or opaque snoot, no accessory holder is required, see accessories page. Flush mount mud ring is available to give the appearance of a trimless reflector, compatible with new construction housings only.

LABELS AND LISTINGS

- cULus Listed for Damp Locations
- ENERGY STAR certified
- 5-Year Limited Warranty
- RoHS Compliant
- Certified to the high efficacy requirements of California Title 24 JA8-2019



PRODUCT IMAGES & DIMENSIONS



NI0B-2RG

Round Adjustable Gimbal

Adjustability:

New Construction: 30° (800-1000lm) / 12° (1500-2500lm)

Remodel: 15° (800-1000lm)



BB
Black



BZ
Bronze



MPW
Matte Powder White



NN
Natural Metal



WW
White

2" Iolite Round Adjustable Surface Gimbal - Dedicated Housing Required

| Reflector Type | Color Temp. | Finish | Lumens / Wattage |
|---|---------------------------------------|---------------------------------|---|
| NI0B-2RG = Round Adjustable Gimbal | 50X = 5000K* | BB = Black | (blank) = 800lm / 14W |
| | CDX = Comfort Dim [†] | BZ = Bronze | |
| | 27X = 2700K | MPW = Matte Powder White | (blank) = 800lm / 14W |
| | 30X = 3000K | NN = Natural Metal | /10 = 1000lm / 14W |
| | 35X = 3500K | WW = White | /HL = 1500-2500lm (varies by housing) |
| | 40X = 4000K | | |
| | 50X = 5000K | | |

* 5000K LED modules in 800lm are while supplies last

[†] Comfort Dim available in 800lm only and 1" Iolite uses a different dimming curve than 2" & 4" Iolite

Compatible Housings

| Housing Type |
|---|
| NH0ICD-28 = ICAT New Construction / 800-1000lm / 14W |
| NH0ICDCP-28 = Chicago Plenum / 800-1000lm / 14W |
| NHR0IC-28 = ICAT Remodel / 800-1000lm / 14W |
| NH0ICD-215 = ICAT New Construction / 1500lm / 20W |
| NH0ICDCP-215 = Chicago Plenum / 1500lm / 20W |
| NH0ICD-220 = ICAT New Construction / 2000lm / 24W |
| NH0ICDCP-220 = Chicago Plenum / 2000lm / 24W |
| NH0ICD-225 = ICAT New Construction / 2500lm / 28W |
| NH0ICDCP-225 = Chicago Plenum / 2500lm / 28W |

Example: **NI0B-2RG50XWW** = 2" Iolite Round Adjustable Gimbal, 5000K, White finish, 800lm / 14W

2" Iolite Accessories

2" Iolite Round Adjustable Gimbal

Type

Project

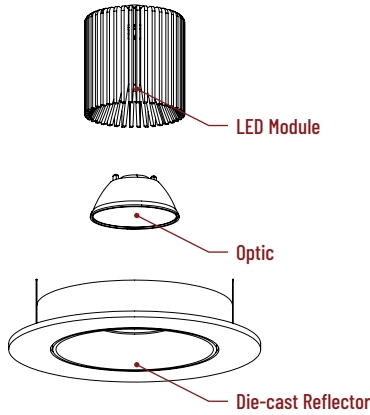
Catalog No.

Notes

FIELD CHANGEABLE OPTICS

Iolite reflectors include spot, narrow flood and flood optics. Optics can be changed in the field by removing LED module from die-cast reflector. Replacement optics include an optional frosted lens.

Note: Frosted filter-optics and Premium TIR optics are not compatible with /HL LED modules.



Frosted Filter-Optic

NIO-REFL15FR 15° Optic
NIO-REFL25FR 25° Optic
NIO-REFL38FR 38° Optic
NIO-REFL60FR 60° Optic

Optic assembly includes optional frosted lens. 25°, 38° and 60° optics are included with 800lm and 1000lm reflector.
Not compatible with /HL LED module.



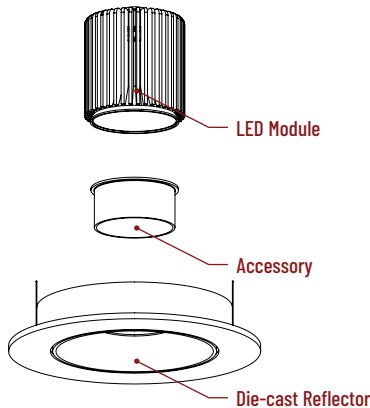
Premium TIR Optics

NIO-REFLTIR15 15° Optic
NIO-REFLTIR25 25° Optic

Not compatible with /HL LED module or Comfort Dim (CDX) technology

ACCESSORIES

Iolite accessories can be added at any point in the design process. Accessories easily install between LED module and die-cast reflector. Luminaire will accommodate (1) hex louver and (1) collar accessory, no accessory holder required.



Translucent Decorative Collar

NIO-AS14(color) 5/8" length
NIO-AS19(color) 3/4" length
NIO-AS26(color) 1" length
Color:
AM (amber), **BLU** (blue), **FR** (frosted), **R** (red)

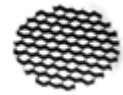
Translucent collars color the aperture with the specified color while producing white general light. Collars are available in different lengths. Use to add interest, create a theme, match a theme or define a space.



Opaque Collar Snoot

NIO-AS14(color) 5/8" length
NIO-AS19(color) 3/4" length
NIO-AS26(color) 1" length
Color:
BLK (black), **MPW** (matte powder white), **WH** (white)

Opaque snoot greatly reduces aperture brightness while preserving light output. (Note: Black snoot will reduce light)



Hex Cell Louver

NIO-HC Black
Hex cell louver subtly reduces aperture brightness by reducing light output by about 20%.

FLUSH MOUNT

2" Iolite reflectors can be installed flush with the drywall for a flush mount appearance. A flush mount mud ring is installed after the drywall and a professional drywall finisher floats the ceiling to blend in the mud ring.

Flush Mount Mud Ring

NIO-FMMR-2R Round Mud Ring

Mounts trim flush to ceiling with reflector flange visible. **Mud ring attaches to drywall. Requires and only for use with NHIOICD-28 or NHIOICDCP-28 new construction housings and NIOB-2R reflectors.**
Dimensions: 7-7/8" diameter 1/2" thick

