

NPTCB-E

LED Troffer Center Basket Series

Source: 33W to 44W LED
3400lm to 6100lm

Type	
Project	
Catalog No.	
Notes	

PRODUCT DESCRIPTION

The LED energy efficient Center Basket Troffer is a specification grade architectural product. The recessed LED center basket troffer provides smooth and uniform general lighting for commercial and industrial applications. The shallow housing design and easy access wiring plate make the center basket a quick installation. The LED center basket troffer performance is suitable for office, school, retail, hospital and hospitality applications.

FEATURES

- Available in three sizes (1' x 4', 2' x 2' or 2' x 4')
- 3400lm, 4000lm or 6100lm LED packages
- 3000K, 3500K, 4000K or 5000K @ 85 CRI
- 5-year limited warranty
- DLC Listed
- Integral 0-10V dimmable driver
- Optional emergency option

SPECIFICATION

Housing: Die form steel powder coated in matte white reflective surface for soft uniform reflectance. Enclosed driver compartment is easily accessible from below via a hinged LED platform. Built in earthquake clips.

Lens: Polycarbonate diffused white lens evenly distributes light and maximizes performance. Diffused lens reduces glare and offers more balanced lighting, eliminating shadowy cave effects caused by parabolics.

Optics: Polycarbonate diffused white lens evenly distributes light and maximizes performance.

ELECTRICAL

Input Voltage: 120/277V

Power Factor: >0.90

Delivered Lumens / Wattage:

14 = 3400lm / 33W; **22** = 3400lm / 33W; **24L40** = 4000lm / 37W; **24** = 6100lm / 44W

Color Temperature: 3000K, 3500K, 4000K or 5000K

CRI: 85 CRI

Operating Temp.: 0°C to 45°C ambient temperature

Dimming: 0-10V dimming down to 10%

[Click Here](#) or check complete dimmer list at www.NoraLighting.com in the "Compatibility" page under "Resources" tab

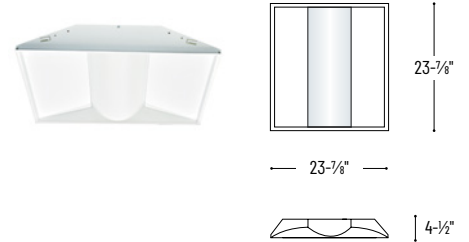
Emergency: Optional battery and remote test switch will power luminaire for 90 minutes during power failure.

LABELS AND LISTINGS

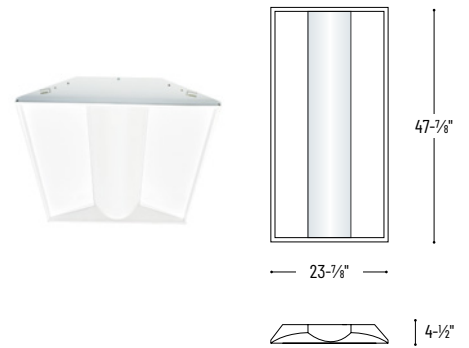
- cULus Listed for Damp Locations
- DLC Listed
- [5-Year Limited Warranty](#)
- RoHS compliant



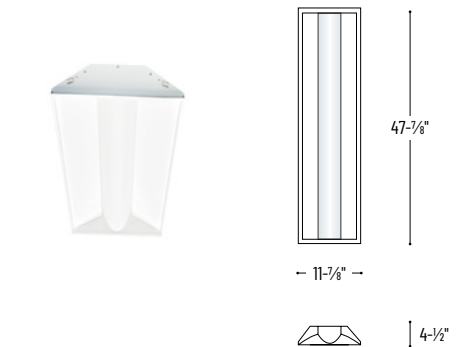
PRODUCT IMAGES AND DIMENSIONS



NPTCB-E22
2' x 2'



NPTCB-E24
2' x 4'



NPTCB-E14
1' x 4'

LED Center Basket Troffer Series

Series	Size / Lumens / Wattage	Color Temp.	Finish	Optional Emergency
NPTCB-E	14 = 1' x 4' / 3400lm / 33W	30 = 3000K	AW = White	EM = Emergency Battery with Remote Test Switch
	22 = 2' x 2' / 3400lm / 33W	35 = 3500K		
	24L40 = 2' x 4' / 4000lm / 37W	40 = 4000K		
	24 = 2' x 4' / 6100lm / 44W	50 = 5000K		

Example: **NPTCB-E22L30AW** = 2' x 2' LED Center Basket Troffer, 3400lm / 33W, 3000K, White Finish