

Project:

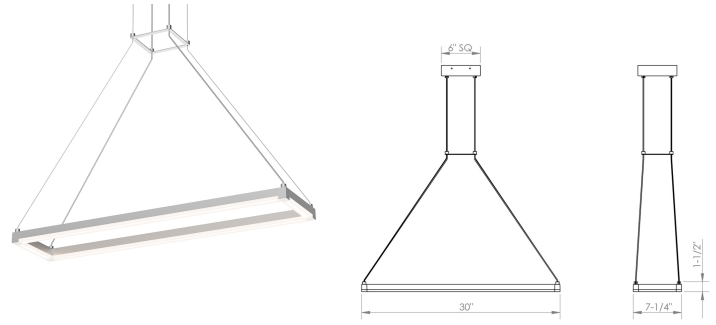
Stix Rectangle Spec Sheet

SKU: 2788.16 Learn more at:
<https://sonnemanlight.com/stix-rectangle>

Description: Stix Rectangle is an LED pendant precisely arranged into a rectangle-shaped mobile sculpture of illumination. LED illumination from the most minimal geometric profile achieves the Modernist architectural ideal of "Less is more." Available in two sizes: 30"x 6" and 47"x 9" and two finishes: Bright Satin Aluminum and Satin Black.

This best-selling family is also available as a [Multi-Arm Pendant](#), [Square Pendant](#), [Bath Bar](#), and [Wall Bar](#).

Type #:



Dimensions

Height:	1.5"
Width:	30"
Length:	7.25"
Hanging Details:	6' Adj. Cords/Cables
Size:	30" x 6"
Canopy/Backplate/Base Width:	6
Canopy/Backplate/Base Depth:	6
Canopy/Backplate/Base Height:	1.75

Electrical Specs

Bulb(s) Included?:	Yes
Bulb 1 Type:	Integral LED
Input Voltage:	120-277VAC
Wattage:	25
Initial Lumens:	2150
Color Temperature:	3000K
CRI:	90
Power Supply Type:	Driver
Power Supply Quantity:	1
Power Supply Location:	Canopy
Dimming Type:	TRIAC & ELV @120V / 0-10V
Bulb Max Wattage:	25

Installation

Installation:	Licensed electrician required
Sloped Ceiling Compatible?:	Not Compatible
Minimum Hanging Height:	17"

Shipping

Carton 1 L x W x H:	32" X 9" X 7"
Carton 1 Gross Weight:	6 LBS
Fixture Weight:	5

Shade

Shade 1 Material:	Optical Acrylic
Shade 2 Material:	Optical Acrylic

Available Finishes

Available Finishes: Bright Satin Aluminum (.16), Satin Black (.25)

General Listings

Features:	Damp Rated
Certification:	C-ETL-US
Color/Finish:	Bright Satin Aluminum (.16)
Dark Sky Friendly:	N