

COLLIER 24 PENDANT

PRODUCT FEATURES

- Solid faceted crystal manufactured in Czech Republic. Custom engineered natural brass connectors
- This item is made of natural brass. It is a living finish that will patina and warm with age which adds richness. If it gets an uneven patina or spots, a brass cleaner can restore the finish
- Remote and surface mount driver options available. An optional mud-in canopy kit can be ordered separately in conjunction with the 'Remote' driver option for the most minimal ceiling appearance.
- Contact factory for custom configurations
- For minimal ceiling appearance, order the optional mud-in canopy kit in conjunction with the 'Remote' driver. It can be viewed [here](/Products/Fixtures/Accessories/Collier-Mud-in-Plate)
- Protected by a 5-year warranty. Please visit the "About Us" Page on techlighting.com for more for warranty details. Patent Pending



Natural Brass

LAMPING

Includes 8.2 watt, 452 total delivered lumens, 90 CRI 2700K LED modules. Remote dimmable with most LED compatible ELV and TRIAC dimmers. 277V dimmable with 0-10V dimmers. Surface dimmable with ELV and TRIAC dimmers. Remote 120V or 277V. Surface 120V-277V. Can be installed on a sloped ceiling up to 45°.



Natural Brass

Polished Nickel

ORDERING INFORMATION

700CLR	SHAPE OR SIZE	FINISH	LAMP
	24 24	NB NATURAL BRASS	-LED927R INTEGRATED LED 90 CRI 2700K 120V (REMOTE)
		N POLISHED NICKEL	-LED927R-277 INTEGRATED LED 90 CRI 2700K 277V (REMOTE)
			-LED927S INTEGRATED LED 90 CRI 2700K 120V-277V UNIVERSAL (SURFACE)

700CLR _____

JOB NAME _____

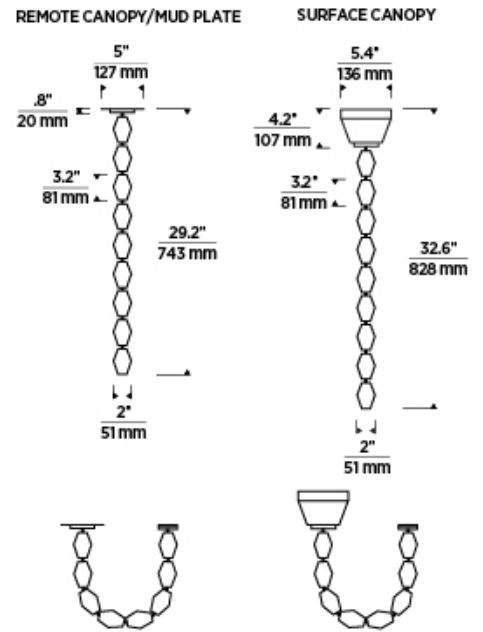
NOTES _____



COLLIER 24 PENDANT

SPECIFICATIONS

HARDWARE MATERIAL	Metal
SHADE MATERIAL	Crystal
NET WEIGHT	
HEIGHT	29.2in
WIDTH	2in
LENGTH	2in
UP LIGHT / DOWN LIGHT / BOTH?	
WET LISTED	
DAMP LISTED	Yes
DRY LISTED	
MIN. HANGING HEIGHT	29.2in
MAX HANGING HEIGHT	29.2in
TOTAL CORD LENGTH	
TOTAL STEM LENGTH	
STEM QTY	
SLOPED CEILING ADAPTABLE?	Yes 45° Max
GENERAL LISTING	ETL Listed
INCLUDES	



LAMPING SPECIFICATIONS

	LED LAMP	INTEGRATED LED	NON LED	NO LAMP
DELIVERED LUMENS		452		
WATTS		8.2		
MAX WATTAGE PER BULB		8.2W		
INPUT VOLTAGE		120VV 277VV Universal 120V-277VV		
DIMMING TYPE*		ELV, TRIAC 0-10V		
CCT		2700K		
CRI		90 CRI		
LED LIFETIME		>50000		
AVERAGE BULB HOURS				
FIELD SERVICEABLE LED				
LAMP BASE		Integrated LED		
LAMP SHAPE		Integrated LED		
LAMP INCLUDED?		True		
WARRANTY**		5 Years		

*Dimming information available at www.techlighting.com/Downloads#dimming

** Visit techlighting.com for specific warranty limitations and details.

T20 / T24 / JA8 INFORMATION

	Integrated LED	Replacement LED Lamp	No Lamp *
This product can be used to comply with California Building Energy Efficiency Standards 2016 Title 24 Part 6 / JA8.	Yes		
This product can be used to comply with California Appliance Efficiency Standards 2016 Title 20 and may be shipped to and sold in California.	N/A		

* If a light fixture or component does not include a lamp or light source, it is the responsibility of the customer to select a lamp that meets the T24 and T20 requirements.

