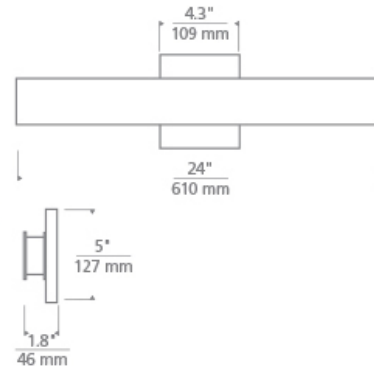
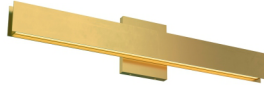


Bau 24 Bath LED ADA

DESCRIPTION

The Bau 24 Bath by Sean Lavin for Tech Lighting emits a beautiful glow of integrated LEDs nested between thin metal plates. Inspired by the Bauhaus movement, the modern clean aesthetic provides an indirect glow from LEDs nested within the fixture. Available in three modern finishes Nightshade Black, Polished Nickel and Natural Brass that will patina over time, the Bau 24 Bath Bar completes the look in any modern bathroom and vanity setting. Coordinate with the entire Bau Family including the look with Line-Voltage Pendants and Linear Suspension. Includes 120 volt 12.2 watt, 295 delivered lumens, 3000K LED module. 120V dimmable with most LED compatible ELV and TRIAC dimmers. 277V compatible with 0-10V dimmers. Mounts horizontally or vertically. ADA compliant.



INSTALLATION

This product can mount to either a 4" square electrical box with round plaster ring or an octagonal electrical box (not included).

WEIGHT

4-4lb / 1.81-1.81kg ±



natural brass nightshade black polished nickel

ORDERING INFORMATION

700BCBAU	LENGTH (A)	FINISH	LAMP
	24 24"	N NATURAL BRASS B NIGHTSHADE BLACK N POLISHED NICKEL	-LED930 INTEGRATED LED 90 CRI 3000K 120V -LED930-277 INTEGRATED LED 90 CRI 3000K 277V

TECH LIGHTING®
 7400 Linder Avenue T 847.410.4400
 Skokie, Illinois 60077 F 847.410.4500
Tech Lighting, L.L.C.

700BC BAU _____

FIXTURE TYPE: _____

JOB NAME: _____

NOTES: _____
