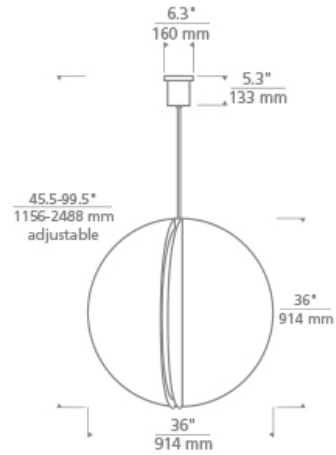


# Bau 36 Pendant LED

## DESCRIPTION

The Bau 36 Pendant by Sean Lavin for Tech Lighting celebrates the influence of the Bauhaus movement. Generously scaled, four geometric metal stamped fins house integrated LEDs beautifully grazing the fixture's finish providing a generous amount of indirect illumination. Available in two modern finishes Nightshade Black and Natural Brass that will patina over time, the Bau Line-Voltage Pendant is an American Modern take providing a stunning focal point to your interior design. Complete the look with smaller scale Line-Voltage Pendants, Linear Suspension and Bath Bar. Includes 120-277 volt universal, 84.5 watt, 2886 delivered lumens, 3000K, 90 CRI LED module. Dimmable with most LED compatible ELV dimmers. Includes (2) 6" and (4) 12" rigid stems in coordinating finish. Can be installed on a sloped ceiling up to 20°.



## INSTALLATION

This product can mount to either a 4" square electrical box with round plaster ring or an octagon electrical box.

## WEIGHT

88-88lb / 39.92-39.92kg ±



natural brass    nightshade black

## ORDERING INFORMATION

700 SYSTEM	BAU36	FINISH	LAMP
TD	LINE-VOLTAGE PENDANTS/SUSPENSION	NB NATURAL BRASS B NIGHTSHADE BLACK	-LED930 INTEGRATED LED 90 CRI 3000K 120V-277V UNV

**TECH LIGHTING®**  
 7400 Linder Avenue    T 847.410.4400  
 Skokie, Illinois 60077    F 847.410.4500  
**Tech Lighting, L.L.C.**

700 \_\_\_\_ BAU36 \_\_\_\_

FIXTURE TYPE: \_\_\_\_\_

JOB NAME: \_\_\_\_\_

NOTES: \_\_\_\_\_

\_\_\_\_\_

\_\_\_\_\_