

Foundry Pendant LED

DESCRIPTION

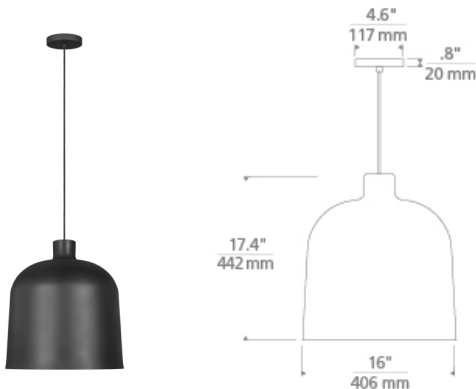
Foundry by Sean Lavin for Tech Lighting brings an urban edge to its vintage industrial silhouette and modern functionality. Designed with a modern dome at 16 inches diameter, Foundry is available in two finishes Matte White and Nightshade Black, a perfect complement to a modern space. Includes 120 volt, 12.8 watt, 442.4 delivered lumen, 3000K, 90 CRI LED module. Dimmable with most LED compatible ELV and Triac dimmers. Includes 12 feet of field-cuttable black cloth cord.

INSTALLATION

This product can mount to either a 4" square electrical box with round plaster ring or an octagon electrical box.

WEIGHT

15-15lb / 6.8-6.8kg ±



nightshade black nightshade black alt matte white matte white alt

ORDERING INFORMATION

700 SYSTEM	FND	FINISH	LAMP
TD	LINE-VOLTAGE PENDANTS/SUSPENSION	W MATTE WHITE B NIGHTSHADE BLACK	-LED930 INTEGRATED LED 90 CRI 3000K 120V

TECH LIGHTING®

7400 Linder Avenue T 847.410.4400
Skokie, Illinois 60077 F 847.410.4500

Tech Lighting, L.L.C.

700 ____ FND ____

FIXTURE TYPE: _____

JOB NAME: _____

NOTES: _____
