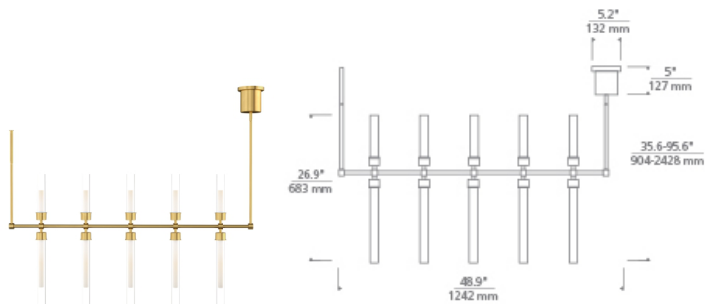


Linger 48 Linear Suspension LED

DESCRIPTION

The Linger 48 Linear Suspension by Sean Lavin for Tech Lighting is designed with symmetrically placed LED lights shaped by ten glass and acrylic cylinders providing generous illumination in any space. This linear suspension spans 49" wide and provides up and down light perfect for commercial spaces, restaurants, kitchens and entryways. Available in Polished Nickel and Natural Brass that will slowly patina for a timeless look. Complete your look with the Linger Chandeliers, Pendant and Wall Sconces. Lamping options are compatible with most dimmers. Refer to the Dimming Chart for more information. Includes 46 watts, 3774.5 total delivered lumens, 3000K LED modules. 120 volt dimmable with most LED compatible ELV and TRIAC dimmers. 277 volt compatible with 0-10V dimmers. Ships with (10) 12" and (4) 6" rigid stems in coordinating finish. Can be installed on a sloped ceiling up to 45°.



INSTALLATION

This product can mount to either a 4" square electrical box with round plaster ring or an octagonal electrical box (not included).

WEIGHT

24-24lb / 10.89-10.89kg ±



natural brass polished nickel

ORDERING INFORMATION

700LSLNG	LENGTH (A)	FINISH	LAMP
48	48"	N NATURAL BRASS N POLISHED NICKEL	-LED930 INTEGRATED LED 90 CRI 3000K 120V -LED930-277 INTEGRATED LED 90 CRI 3000K 277V



TECH LIGHTING®

7400 Linder Avenue T 847.410.4400
Skokie, Illinois 60077 F 847.410.4500

Tech Lighting, L.L.C.

700LS LNG _____

FIXTURE TYPE: _____

JOB NAME: _____

NOTES: _____
