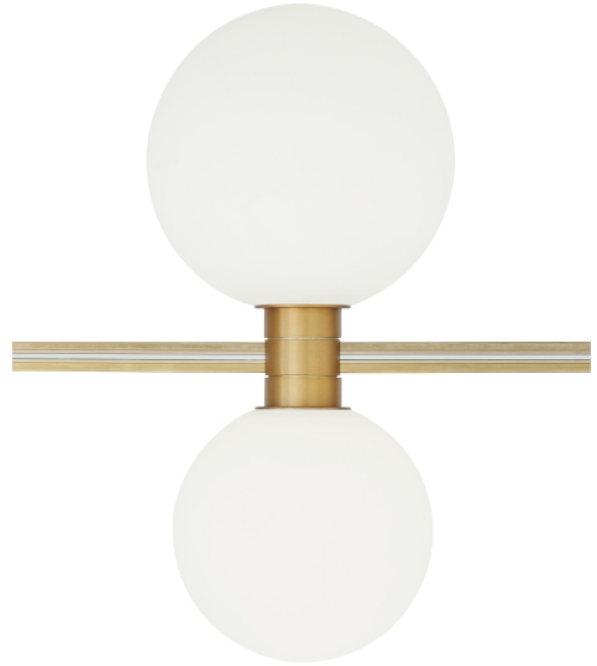


PRODUCT FEATURES

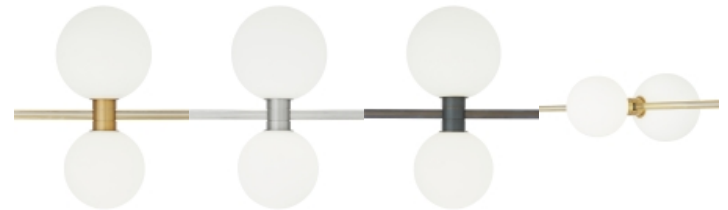
- Mounts to MonoRail for limitless possibilities
- Create a modern light sculpture or custom chandelier
- Fully dimmable integrated LED lamp
- Protected by a 5-year warranty. Please visit the "About Us" Page on techlighting.com for more for warranty details



Aged Brass Vertical

LAMPING

Includes 12 volt 7.8 watts 401 delivered lumens, 3000K, 90 CRI, LED module. Dimmable with low-voltage or magnetic dimmer (based on transformer). 12" standoff minimum for rail configuration.



Aged Brass Vertical

Satin Nickel Vertical

Bronze Vertical

Aged Brass Horizontal

To view all available finish options, please visit techlighting.com

ORDERING INFORMATION

700MOORBS SHAPE OR SIZE	FINISH	LAMP
H HORIZONTAL V VERTICAL	R AGED BRASS Z ANTIQUE BRONZE S SATIN NICKEL	-LED930 INTEGRATED LED 90 CRI 3000K 12V

700MOORBS _____

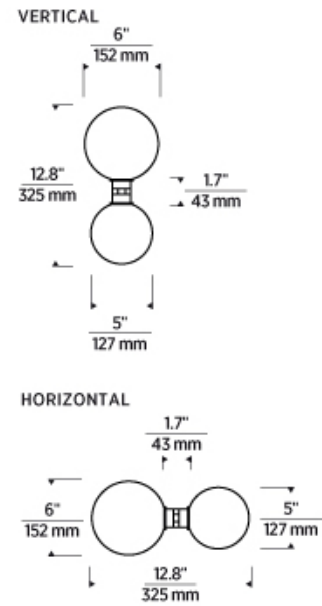
JOB NAME _____

NOTES _____



SPECIFICATIONS

PRIMARY MATERIAL	Aluminum
SHADE MATERIAL	Glass
NET WEIGHT	
HEIGHT	6in
WIDTH	6in
LENGTH	12.8in
BEAM SPREAD	
UP LIGHT / DOWN LIGHT / BOTH?	
WET LISTED	
DAMP LISTED	
DRY LISTED	Yes
MIN. HANGING HEIGHT	
MAX HANGING HEIGHT	
TOTAL CORD LENGTH	
SLOPED CEILING ADAPTABLE?	N/A
GENERAL LISTING	ETL Listed
INCLUDES	



LAMPING SPECIFICATIONS

	LED LAMP	INTEGRATED LED	NON LED	NO LAMP
DELIVERED LUMENS		401		
WATTS		7.8		
MAX WATTAGE PER BULB		7.8W		
INPUT VOLTAGE/ DIMMING TYPE		12V ELV, MLV		
CCT		3000K		
CRI		90 CRI		
LED LIFETIME				
L70		>50000		
AVERAGE BULB HOURS				
FIELD SERVICEABLE LED				
LAMP BASE		Integrated LED		
LAMP SHAPE		Integrated LED		
LAMP INCLUDED?		True		
WARRANTY**		5 Years		

* Dimming information available at www.techlighting.com/Downloads#dimming

** Visit techlighting.com for specific warranty limitations and details.

T20 / T24 / JA8 INFORMATION

	Integrated LED	Replacement LED Lamp	No Lamp *
This product can be used to comply with California Building Energy Efficiency Standards 2016 Title 24 Part 6 / JA8.	Yes		
This product can be used to comply with California Appliance Efficiency Standards 2016 Title 20 and may be shipped to and sold in California.	N/A		

* If a light fixture or component does not include a lamp or light source, it is the responsibility of the customer to select a lamp that meets the T24 and T20 requirements.

