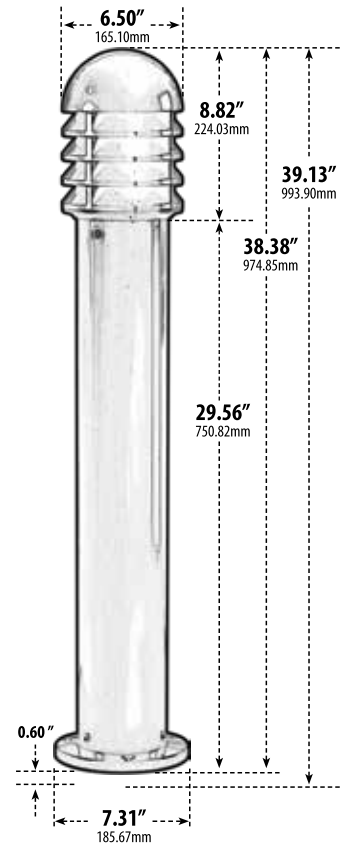
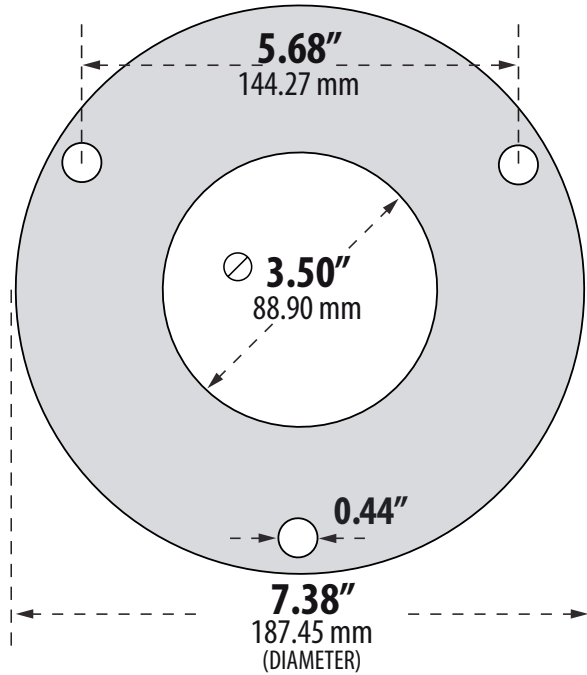


D3400

PATH, WALKWAY, DRIVEWAY and ENTRANCE AREA BOLLARD



- ▶ **Material:** Powder Coated Cast Aluminum
- ▶ **Lens:** Frosted, Heat Resistant, Glass Lens
- ▶ **Available Finish:** Black, Bronze, Verde Green
- ▶ **ETL Approved**

Overall Dimensions:
7.31"W x 39.13"H x 7.31"D

Maximum Height: 39.13"
Width: 7.31"
Maximum Depth: 7.31"

Weight: 8.0 lbs
Box Dimensions: 8.31"W x 42.0"H x 7.31"D

MODEL NUMBER	LAMP TYPE	ILLUMINANT TYPE	WATTS (W)	VOLTS (V)	LAMP(S) INCLUDED?
D3400	A-Type	Incandescent	60	120	NO
D3400-LED60	Tubular G24.2P	60 LEDs	11	120-277	YES
D3427	S13-GU24	Fluorescent	13	120	YES
D3428	S26-GU24	Fluorescent	26	120	YES
D3435	HID	HPS	35	120	YES
D3450	HID	HPS	50	120	YES
D3450-MT	HID	HPS	50	MT	YES
D3470	HID	HPS	70	120	YES
D3470-MT	HID	HPS	70	MT	YES
D3475	HID	MH	35	120	YES
D3476	HID	MH	50	120	YES
D3476-MT	HID	MH	50	MT	YES
D3480	HID	MH	70	120	YES
D3480-MT	HID	MH	70	MT	YES

DABMAR
LIGHTING

DABMAR LIGHTING INCORPORATED

2140 Eastman Ave . Oxnard, CA 93030 . 805.604.9090 . f: 805.604.9050 . www.dabmar.com