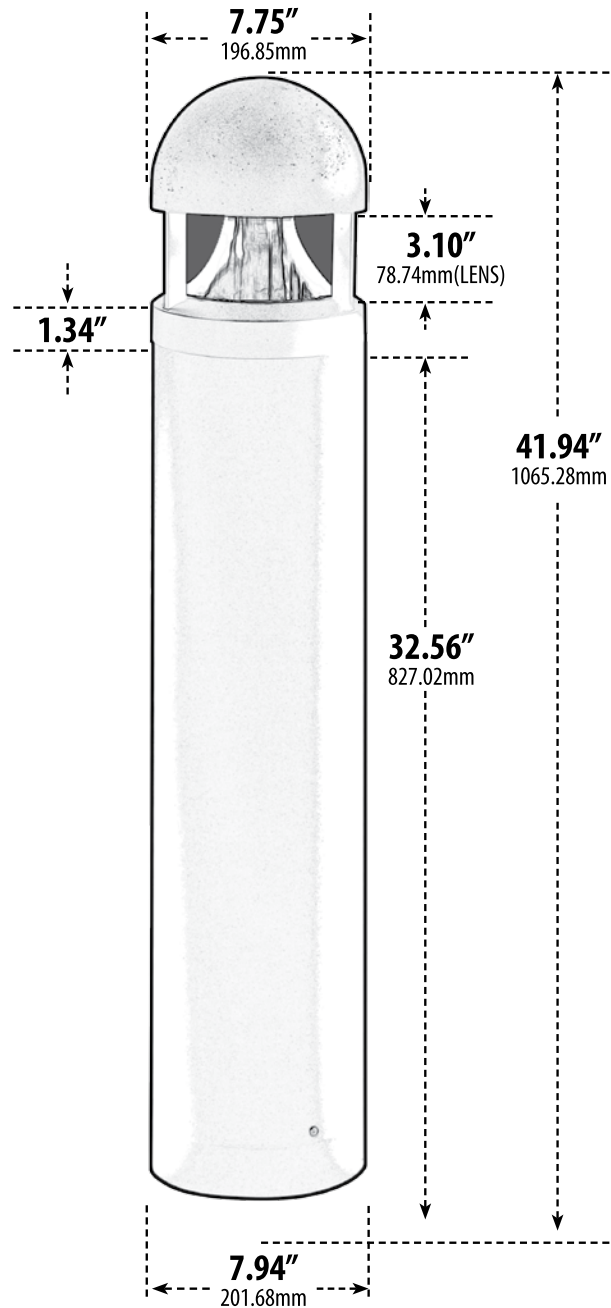


# D800

PATH, WALKWAY, DRIVEWAY and ENTRANCE AREA BOLLARD

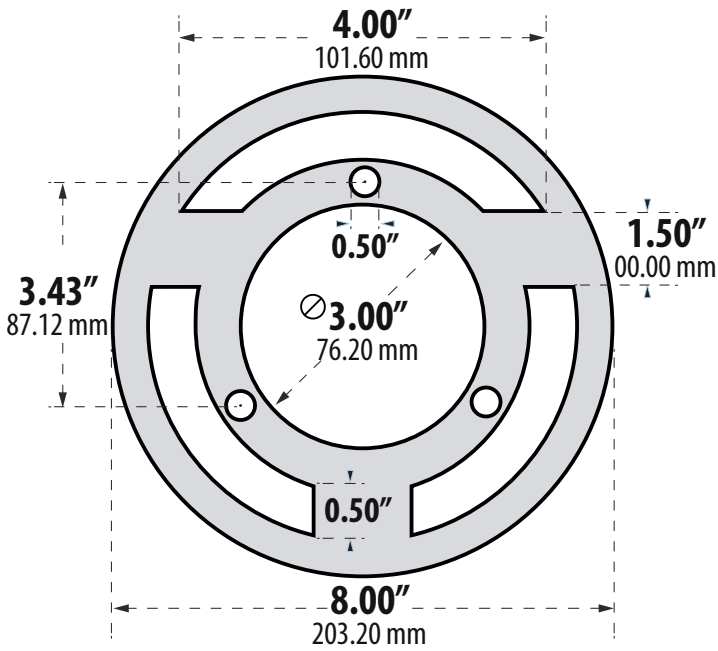


- ▶ **Material:** Powder Coated Cast Aluminum
- ▶ **Lens:** Clear, Heat Resistant, Acrylic Lens
- ▶ **Available Finish:** Black, Bronze, Verde Green
- ▶ **ETL Approved**

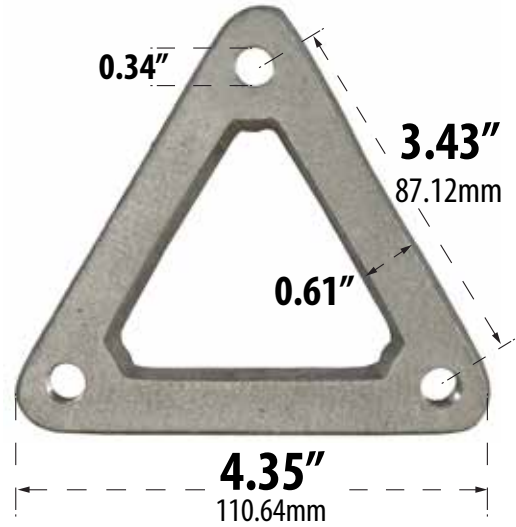
**DABMAR**  
LIGHTING

DABMAR LIGHTING INCORPORATED

2140 Eastman Ave . Oxnard, CA 93030 . 805.604.9090 . f: 805.604.9050 . www.dabmar.com

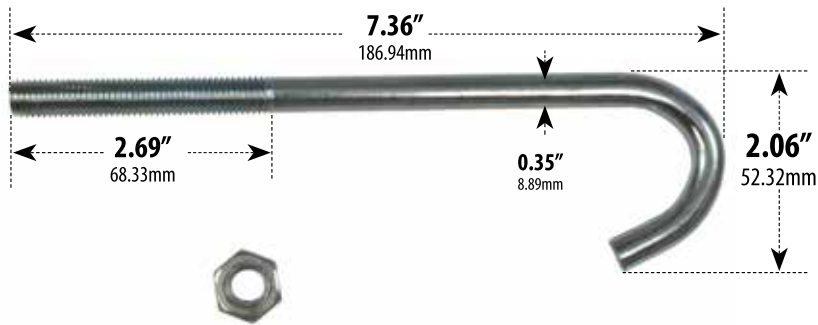


**BASE PATTERN**



**TEMPLATE PATTERN**

**BOLT**



MODEL NUMBER	LAMP TYPE	ILLUMINANT TYPE	WATTS (W)	VOLTS (V)	LAMP(S) INCLUDED?
D800	A-Type	Incandescent	60	120	NO
D800-LED112	Tubular G24 2P	112 LEDs	20	120-277	YES
D803	HID	HPS	35	120	YES
D804	HID	HPS	50	120	YES
D804-MT	HID	HPS	50	MT	YES
D805	HID	HPS	70	120	YES
D805-MT	HID	HPS	70	MT	YES
D806	HID	MH	70	120	YES
D806-MT	HID	MH	70	MT	YES
D807-35	HID	MH	35	120	YES
D807	HID	MH	50	120	YES
D807-MT	HID	MH	50	MT	YES
D808	S13-GU24	Fluorescent	13	120	YES
D809	S26-GU24	Fluorescent	26	120	YES

Overall Dimensions:  
7.94"W x 41.94"H x 7.94"D

Maximum Height: 41.94"  
Width: 7.94"  
Maximum Depth: 7.94"

Weight: 20.80 lbs  
Box Dimensions: 7.81"W x 42.50"H x 8.00"D