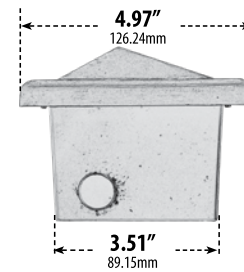
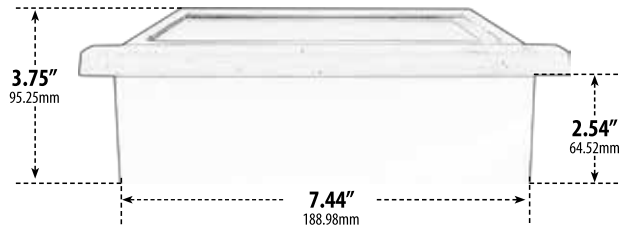
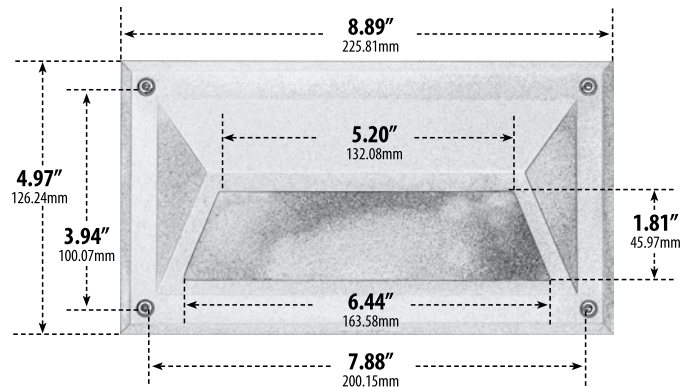


DSL1002

RECESSED HOODED BRICK, STEP AND WALL LIGHT



- ▶ **Material:** Powder Coated Cast Aluminum
- ▶ **Lens:** Frosted, Heat Resistant, Tempered Glass

MODEL NUMBER	LAMP TYPE	ILLUMINANT TYPE	WATTS (W)	VOLTS (V)	LAMP(S) INCLUDED?
DSL1002	T10	INCANDESCENT	40	120	NO
DSL1002-LED5	PL-LED	LED	5	85-264	YES
DSL1002-LED7	G24-LED	TUBULAR LED	7	85-265	YES
DSL1002-LED9	G24-LED	TUBULAR LED	9	85-265	YES
DSL1025	PL5	FLUORESCENT	5	120	YES
DSL1027	PL7	FLUORESCENT	7	120	YES
DSL1029	PL9	FLUORESCENT	9	120	YES
DSL1033	PLQ13	FLUORESCENT	13	120	YES
DSL1034	S13-GU24	FLUORESCENT	13	120	YES
DSL1092	G24-LED	100 LEDs	12	120-277	YES

- ▶ **Available Finish:** Black, Bronze, *Stainless Steel 304*, Verde Green, White
- ▶ **Recessed Mount**
- ▶ **Replacement Cover Plate:** P-CVR-DSL1002 (sold separately)
- ▶ **ETL Approved**

LED Available in Warm or Cool White

DSL1002: 1.40 lbs Incandescent (no lamp included)
 DSL1025: 1.80 lbs
 DSL1027: 1.80 lbs
 DSL1029: 1.80 lbs
 DSL1033: 1.80 lbs
 DSL1034: 1.80 lbs
 DSL1092: 1.80 lbs

Overall Dimensions:
 5.00"H x 8.90"W x 3.75"D

Wire Length: 15.50"
 Box Dimensions: 4.67"H x 9.13"W x 5.03"D

DABMAR
 LIGHTING

DABMAR LIGHTING INCORPORATED

320 Graves Ave . Oxnard, CA 93030 . 805.604.9090 . f: 805.604.9050 . www.dabmar.com