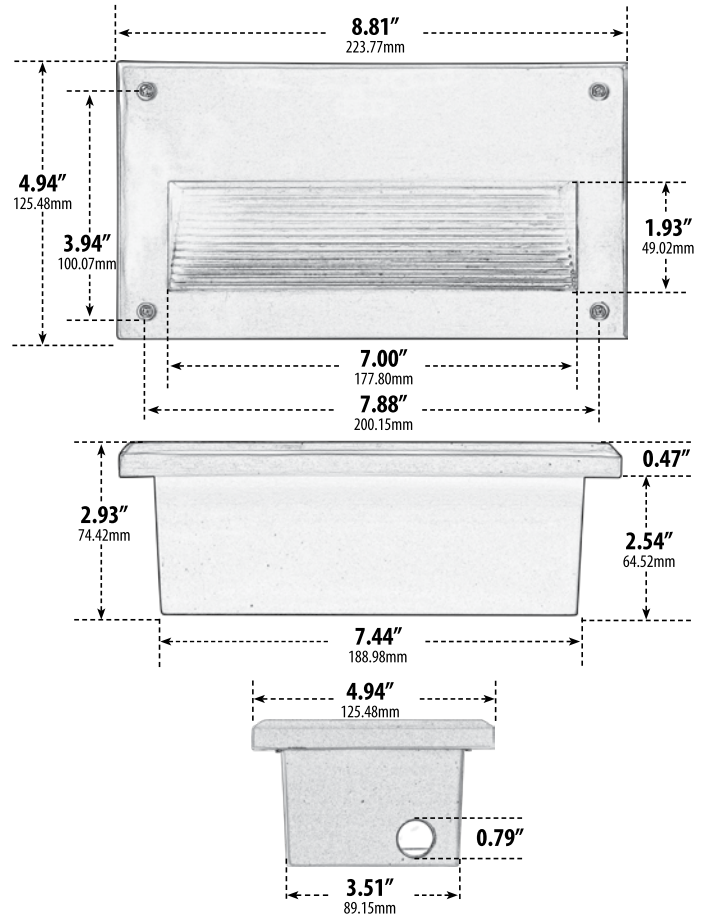
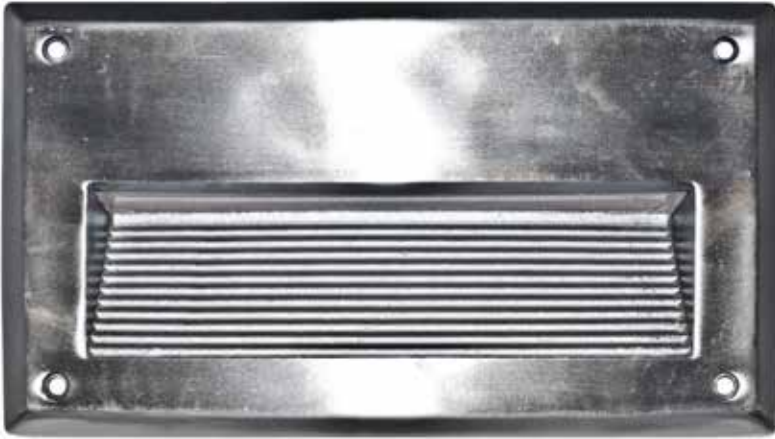


DSL1003

RECESSED BRICK, STEP AND WALL LIGHT



- ▶ **Material:** Powder Coated Cast Aluminum
- ▶ **Lens:** Frosted, Heat Resistant, Tempered Glass

MODEL NUMBER	LAMP TYPE	ILLUMINANT TYPE	WATTS (W)	VOLTS (V)	LAMP(S) INCLUDED?
DSL1003	T10	INCANDESCENT	40	120	NO
DSL1003-LED5	PL-LED	LED	5	85-264	YES
DSL1003-LED7	G24-LED	TUBULAR LED	7	85-265	YES
DSL1003-LED9	G24-LED	TUBULAR LED	9	85-265	YES
DSL1035	PL5	FLUORESCENT	5	120	YES
DSL1037	PL7	FLUORESCENT	7	120	YES
DSL1039	PL9	FLUORESCENT	9	120	YES
DSL1043	PLQ13	FLUORESCENT	13	120	YES

- ▶ **Available Finish:** Black, Bronze, *Stainless Steel 304*, Verde Green, White
- ▶ **Recessed Mount**
- ▶ **Replacement Cover Plate:** P-CVR-DSL1003 (sold separately)
- ▶ **ETL Approved**

DSL1003: 1.80 lbs Incandescent (no lamp included)
 DSL1035: 2.20 lbs
 DSL1037: 2.20 lbs
 DSL1039: 2.20 lbs
 DSL1043: 2.20 lbs

Overall Dimensions:
 4.94"H x 8.81"W x 2.93"D

Wire Length: 14.50"
 Box Dimensions: 9.00"W x 5.0"H x 4.63"D

DABMAR
 LIGHTING

DABMAR LIGHTING INCORPORATED

320 Graves Ave . Oxnard, CA 93030 . 805.604.9090 . f: 805.604.9050 . www.dabmar.com