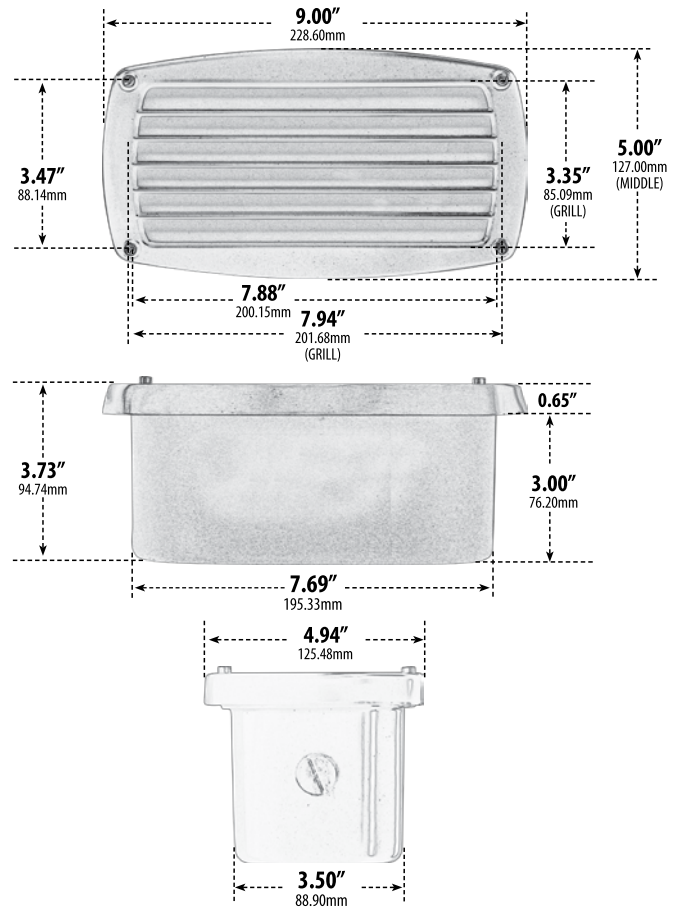


DSL1015

RECESSED LOUVERED BRICK, STEP AND WALL LIGHT



- ▶ **Material:** Powder Coated Cast Aluminum
- ▶ **Lens:** White, Heat Resistant, Plastic

MODEL NUMBER	LAMP TYPE	ILLUMINANT TYPE	WATTS (W)	VOLTS (V)	LAMP(S) INCLUDED?
DSL1015	T10	INCANDESCENT	40	120	NO
DSL1015-LED5	PL-LED	LED	5	85-264	YES
DSL1015-LED7	G24-LED	TUBULAR LED	7	85-265	YES
DSL1015-LED9	G24-LED	TUBULAR LED	8	85-265	YES
DSL1055	PL5	FLUORESCENT	5	120	YES
DSL1057	PL7	FLUORESCENT	7	120	YES
DSL1059	PL9	FLUORESCENT	9	120	YES
DSL1063	PLQ13	FLUORESCENT	13	120	YES
DSL1064	S13-GU24	FLUORESCENT	13	120	YES
DSL1088	G24-LED	100 LEDs	12	120-277	YES

- ▶ **Available Finish:** Black, Bronze, Verde Green, White
- ▶ **Recessed Mount**
- ▶ **Replacement Cover Plate:** P-CVR-DSL1015 (sold separately)
- ▶ **ETL Approved**

LED Available in Warm or Cool White

- DSL1015: 1.80 lbs Incandescent (no lamp included)
- DSL1055: 2.40 lbs
- DSL1057: 2.40 lbs
- DSL1059: 2.40 lbs
- DSL1063: 2.40 lbs
- DSL1064: 2.40 lbs
- DSL1088: 2.40 lbs

Overall Dimensions:
5.00"H x 9.00"W x 3.75"D

Wire Length: 10.00"
Box Dimensions: 9.25"H x 5.25"W x 5.08"D

DABMAR
LIGHTING

DABMAR LIGHTING INCORPORATED

320 Graves Ave . Oxnard, CA 93030 . 805.604.9090 . f: 805.604.9050 . www.dabmar.com