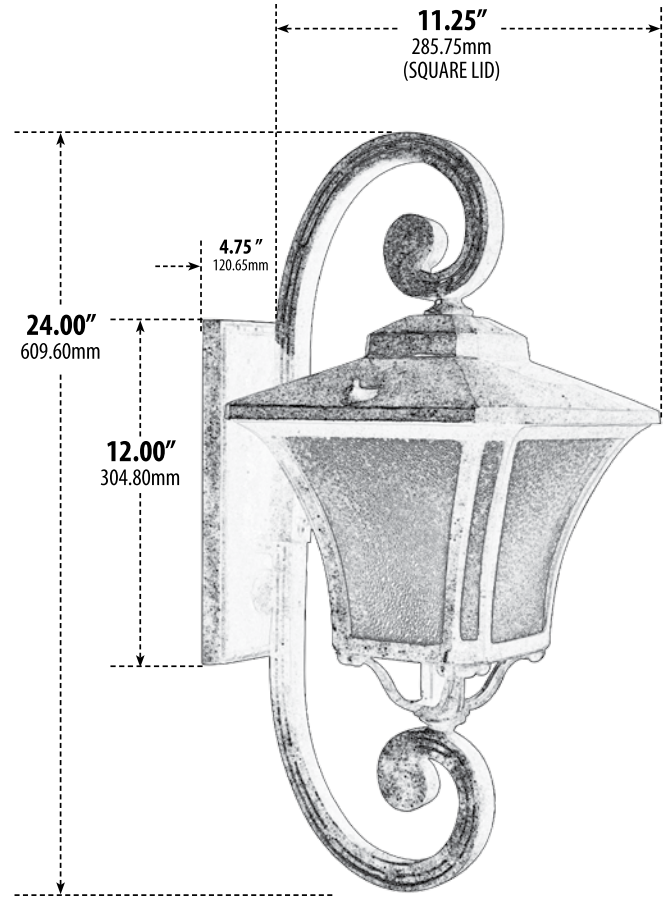


# GM211

## DECORATIVE WALL FIXTURE



- ▶ **Material:** Powder Coated Cast Aluminum
- ▶ **Lens:** Clear, Heat Resistant, Textured Glass Lens
- ▶ **Available Finish:** Black, Bronze, Dark Bronze Stone, Verde Green
- ▶ **ETL Approved**

Overall Dimensions:  
24.00"H x 11.25"W x 16.00"D

Weight: 12.56 lbs  
Approximate Wire Length: 00"  
Box Dimensions: 27.50"H x 15.63"W x 12.50"D

MODEL NUMBER	LAMP TYPE	ILLUMINANT TYPE	WATTS (W)	VOLTS (V)	LAMP(S) INCLUDED?
GM211**	A-Type	Incandescent	60	120	NO
GM217	S13-GU24	Fluorescent	13	120	YES
GM218	S26-GU24	Fluorescent	26	120	YES

\*\*AVAILABLE IN 16W LED Add -LED16 to Model Number



**DABMAR**  
LIGHTING

DABMAR LIGHTING INCORPORATED

2140 Eastman Ave . Oxnard, CA 93030 . 805.604.9090 . f: 805.604.9050 . www.dabmar.com