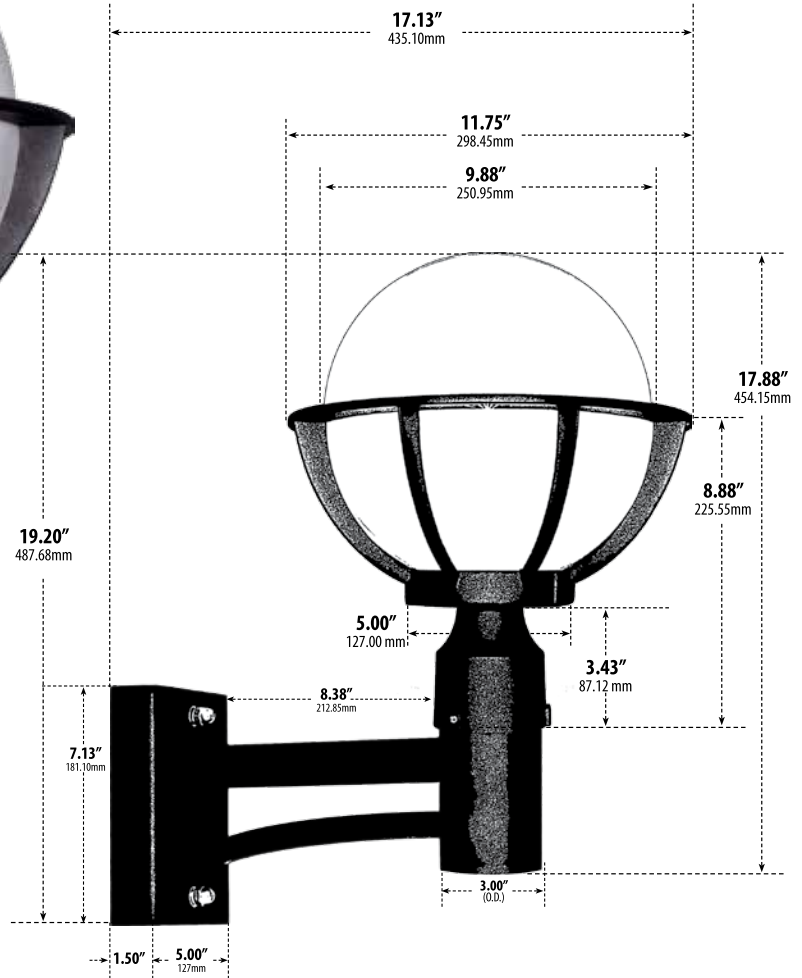


GM265

WALL FIXTURE



- ▶ **Material:** Powder Coated Cast Aluminum
- ▶ **Globe:** White, Heat Resistant, Polycarbonate
- ▶ **Available Finish:** Black, Verde Green
- ▶ **ETL Approval Pending**

MODEL NUMBER	LAMP TYPE	ILLUMINANT TYPE	WATTS (W)	VOLTS (V)	LAMP(S) INCLUDED?
GM265**	A-Type	Incandescent	60	120	NO
GM266	S13-GU24	Fluorescent	13	120	YES
GM267	S26-GU24	Fluorescent	26	120	YES

**AVAILABLE IN 16W LED Add -LED16 to Model Number

Overall Dimensions:
19.20"H x 11.75"W x 17.13"D

Weight: 8.0 lbs
Approximate Wire Length: N/A
Box Dimensions:
0.00"H x 0.00"W x 0.00"D



DABMAR
LIGHTING

DABMAR LIGHTING INCORPORATED

2140 Eastman Ave . Oxnard, CA 93030 . 805.604.9090 . f: 805.604.9050 . www.dabmar.com