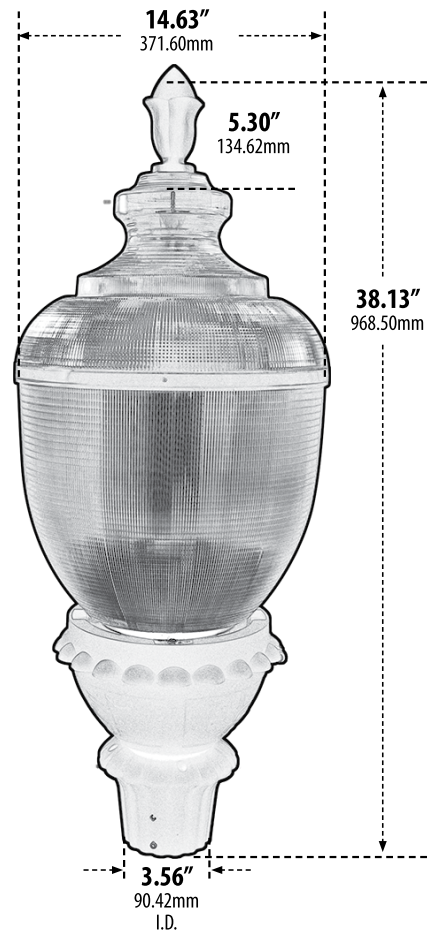


# GM680

## LARGE POST TOP FIXTURE



**P-RDR-GM02**  
3" Reducer from 3.5" to fit 3" Post  
(sold separately)



- ▶ **Material:** Powder Coated Cast Aluminum
- ▶ **Lens:** Clear, Prismatic, Heat Resistant, Polycarbonate
- ▶ **Available Finish:** Black, Bronze, Verde Green
- ▶ **ETL Approved**

\*\*AVAILABLE IN 75W LED Add -LED75 to Model Number

\*\*AVAILABLE IN 120W LED Add -LED120 to Model Number

Overall Dimensions:

38.13"H x 14.63"W x 14.63"D

Weight: 12.8 lbs

Box Dimensions: 16.50"H x 16.50"W x 30.50"D

MODEL NUMBER	LAMP TYPE	ILLUMINANT TYPE	WATTS (W)	VOLTS (V)	LAMP(S) INCLUDED?
GM680**	A-Type	Incandescent	100	120	NO
GM681	HID	HPS/MOG	70	120	YES
GM681-MT	HID	HPS/MOG	70	MT	YES
GM682	HID	HPS/MOG	100	120	YES
GM682-MT	HID	HPS/MOG	100	MT	YES
GM683	HID	HPS/MOG	150	120	YES
GM683-MT	HID	HPS/MOG	150	MT	YES
GM684	HID	MH/MOG	70	120	YES
GM684-MT	HID	MH/MOG	70	MT	YES
GM685	HID	MH/MOG	100	120	YES
GM685-MT	HID	MH/MOG	100	MT	YES
GM686	HID	MH/MOG	150	120	YES
GM686-MT	HID	MH/MOG	150	MT	YES
GM687	HID	MH/MOG	175	120	YES
GM687-MT	HID	MH/MOG	175	MT	YES

**DABMAR**  
LIGHTING

DABMAR LIGHTING INCORPORATED

2140 Eastman Ave . Oxnard, CA 93030 . 805.604.9090 . f: 805.604.9050 . www.dabmar.com