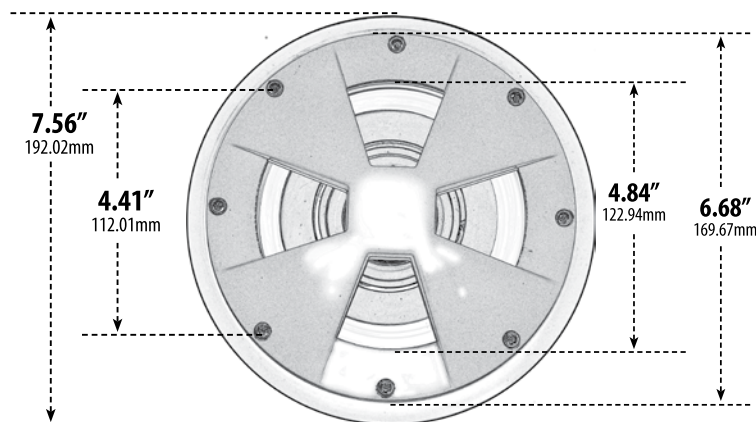


LV307-MR

ADJUSTABLE DRIVE OVER IN-GROUND WELL LIGHT



- ▶ **Material:** Powder Coated Cast Aluminum with PVC Sleeve
- ▶ **Lens:** Clear, Heat Resistant, Tempered Glass
- ▶ **Lamp:** MR16 (50W Maximum) Available in 27K or 65K (LED)
- ▶ **Installation Type:** Rated for In-Ground Soil and Concrete Applications
- ▶ **RGBW Lamp Requires/Remote:** P-RMT-DL-MR16-LED-4W-MC (sold separately)
- ▶ **Available Finish:** Black, Bronze, Gray, Verde Green
- ▶ **ETL Approved**

Overall Dimensions:
7.50"H x 7.56"W x 7.56"D

Weight: 3.0 lbs
Approximate Wire Length: 16"
Box Dimensions:
7.00"H x 7.75"W x 7.75"D

MODEL NUMBER	LAMP TYPE	ILLUMINANT TYPE	WATTS (W)	VOLTS (V)	LAMP(S) INCLUDED?
LV307-MR	MR16	HALOGEN	20	12	YES
LV307-LED3-MR	MR16-LED	LED	3	12	YES
LV307-LED5-MR	MR16-LED	LED	5	12	YES
LV307-LED7-MR	MR16-LED	LED	7	12	YES
LV307-LED4-RGBW-MR	MR16-LED	LED	4	12	YES

Pre-wired with UL Listed Direct Burial Wire/Cable

DABMAR
LIGHTING

DABMAR LIGHTING INCORPORATED

320 Graves Ave . Oxnard, CA 93030 . 805.604.9090 . f: 805.604.9050 . www.dabmar.com