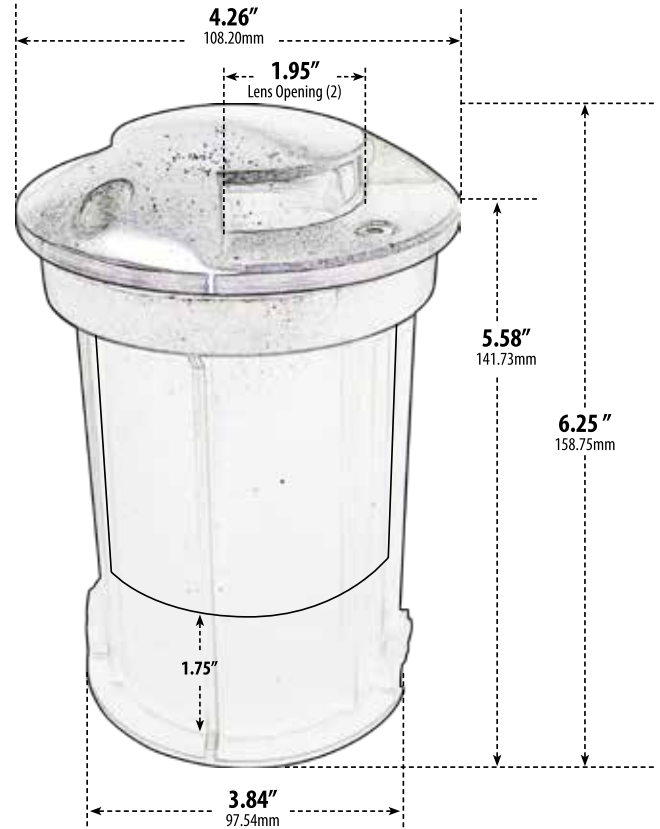


LV320-SS316

IN-GROUND DRIVE-OVER WELL LIGHT



- ▶ **Material:** Stainless Steel with PVC Sleeve
- ▶ **Lens:** Clear, Heat Resistant, Tempered Glass
- ▶ **Lamp:** MR16 Bi-Pin Base (35W Maximum)

MODEL NUMBER	LAMP TYPE	ILLUMINANT TYPE	WATTS (W)	VOLTS (V)	LAMP(S) INCLUDED?
LV320-SS316	MR16	HALOGEN	20	12	YES
LV320-LED3-SS316	MR16-LED	LED COB	3	12	YES
LV320-LED7-SS316	MR16-LED	SMD LED	7	12	YES

Pre-wired with UL Listed Direct Burial Wire/Cable

- ▶ **Maximum Weight Load:** 4496 lbs
- ▶ **Installation Type:** Rated for In-Ground Soil and Concrete Applications
- ▶ **Available Finish:** Stainless Steel
- ▶ **ETL Approved**

Overall Dimensions:
6.25"H x 4.26"W x 4.26"D

Maximum Height: 6.25"
Width: 4.26"
Maximum Depth: 4.26"

Weight: 0.80 lbs
Approximate Wire Length: 21 "

DABMAR
LIGHTING
DABMAR LIGHTING INCORPORATED