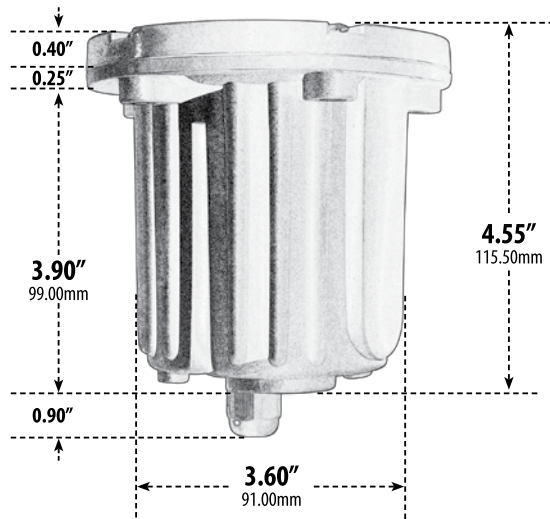
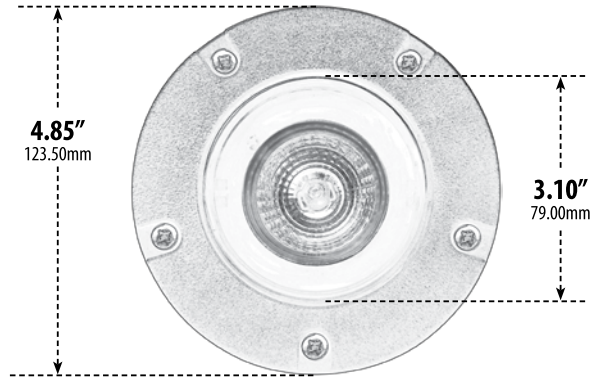


# LV342

## ADJUSTABLE IN-GROUND WELL LIGHT



- ▶ **Material:** Polybutylene Terephthalate (PBT), Cast Brass (Weathered Brass)
- ▶ **Lens:** Clear, Heat Resistant, Tempered Glass
- ▶ **Lamp:** MR16 Bi-Pin Base (35W Maximum)

### \*Corrosion Resistant-Ocean Front Placement

MODEL NUMBER	LAMP TYPE	ILLUMINANT TYPE	WATTS (W)	VOLTS (V)	LAMP(S) INCLUDED?
LV342	MR16	HALOGEN	20	12	YES
LV342-LED3	MR16-LED	LED COB	3	12	YES
LV342-LED7	MR16-LED	SMD LED	7	12	YES

Pre-wired with UL Listed Direct Burial Wire/Cable

- ▶ **Installation Type:** Rated for In-Ground Soil and Concrete Applications
- ▶ **Available Finish:** Black, Bronze, Weathered Brass (Cast Brass)
- ▶ **ETL Approved**

*\*NOW Available in Weathered Brass Finish (Cast Brass)*

Overall Dimensions:  
4.55"H x 4.85"W x 4.85"D

Maximum Height: 4.55"  
Width: 4.85"  
Maximum Depth: 4.85"

Weight: 0.0 lbs  
Approximate Wire Length: 00"  
Box Dimensions:  
0.00"H x 0.00"W x 0.00"D

**DABMAR**  
LIGHTING

DABMAR LIGHTING INCORPORATED

2140 Eastman Ave . Oxnard, CA 93030 . 805.604.9090 . f: 805.604.9050 . www.dabmar.com