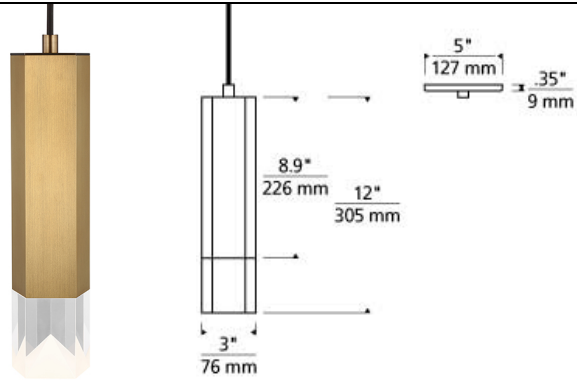


# Krypton Pendant LED T20

## DESCRIPTION

Bold lines and sharp angles define the Krypton wall sconce by Tech Lighting. This crystalline based pendant beautifully illuminates spaces with its Optic concave cut Crystal. Scaling at 3â€ in length and 2.85â€ in width the Krypton wall sconce is a super addition to hallways, foyers and bedrooms flanking two end tables and more. This otherworldly pendant is available in two on-trend finish options, Aged Brass, and Satin Nickel, either finish further enhances this distinctive pendant. Integrated lamping options include warm dimming from 3000k-2200k. Fully dimmable with an electronic dimmer to create the desired ambiance in your special space. Includes 10' of field-cutttable cable. LED includes (1) 9 watt 395 delivered lumens Warm Color Dimming 90 CRI 3000K-2200K LED module. Dimmable with most LED compatible ELV and TRIAC dimmers.Ã



## WEIGHT

2-2.5lb / 0.91-1.13kg ±



aged brass



satin nickel



aged brass



satin nickel

## ORDERING INFORMATION

700 SYSTEM **KRY**

FINISH

LAMP

TD LINE-VOLTAGE PENDANTS/SUSPENSION

R AGED BRASS  
S SATIN NICKEL

-LEDWD LED 90 CRI 3000K-2200K 120V  
-LEDWD LED 90 CRI 3000K-2200K 120V (T24)



**TECH LIGHTING®**

7400 Linder Avenue T 847.410.4400  
Skokie, Illinois 60077 F 847.410.4500

Tech Lighting, L.L.C.

700 \_\_\_\_ KRY \_\_\_\_

FIXTURE TYPE: \_\_\_\_\_

JOB NAME: \_\_\_\_\_

NOTES: \_\_\_\_\_

\_\_\_\_\_

\_\_\_\_\_



©2019 Tech Lighting, L.L.C. All Rights Reserved. The "Tech Lighting" graphic is a registered trademark of Tech Lighting, L.L.C. Tech Lighting reserves the right to change specifications for product improvements without notification.