

# Line Wave 2 Linear Suspension

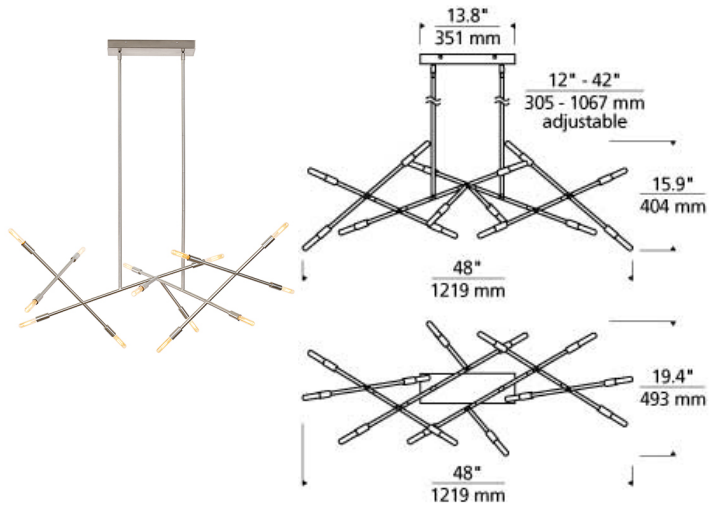
LED T20

## DESCRIPTION

The Line Wave 2 linear suspension fixture by Tech Lighting features an unsystematic pattern of asymmetric lengths converging to form one incredibly dramatic light fixture. LED candelabra based light bulbs adorn each of the 12 tips to not only highlight the structure but also create a simple yet impactful design statement. Scaling at 15.9" high and 48" long the Line Wave 2 is ideal in both residential and commercial lighting applications. Available finish options include warm Aged Brass and modern Satin Nickel, each finish further enhancing the striking design of the Line Wave 2 linear fixture. Available lamping options include energy efficient LED and no-lamp. All lamping options, with the exception of no-lamp, are fully-dimmable to create the desired ambiance in your special space. Includes four 6" stems and six 12" stems. Available with or without lamp. (14) E12 Candelabra base sockets 25w max. LED version includes (14) 2 watt 2306 total delivered lumens 90CRI 2700K LED T6. Dimmable with a low-voltage electronic dimmer. 120v.

## WEIGHT

9.5-10lb / 4.31-4.54kg ±



aged brass

satin nickel

## ORDERING INFORMATION

700 SYSTEM LNV	FINISH	LAMP
LS LINEAR SUSPENSION	R AGED BRASS S SATIN NICKEL	NO LAMP -LED927 T6 LED 90 CRI 2700K 120V (T20/T24)



**TECH LIGHTING®**  
 7400 Linder Avenue T 847.410.4400  
 Skokie, Illinois 60077 F 847.410.4500  
**Tech Lighting, L.L.C.**

700 \_\_\_\_ LNV \_\_\_\_

FIXTURE TYPE: \_\_\_\_\_

JOB NAME: \_\_\_\_\_

NOTES: \_\_\_\_\_

\_\_\_\_\_

\_\_\_\_\_



©2019 Tech Lighting, L.L.C. All Rights Reserved. The "Tech Lighting" graphic is a registered trademark of Tech Lighting, L.L.C. Tech Lighting reserves the right to change specifications for product improvements without notification.