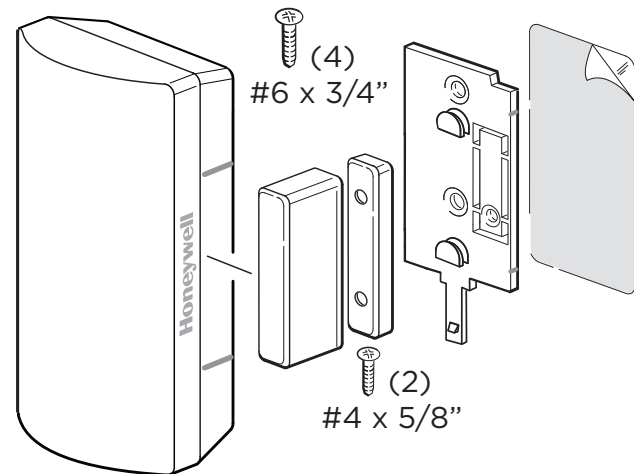
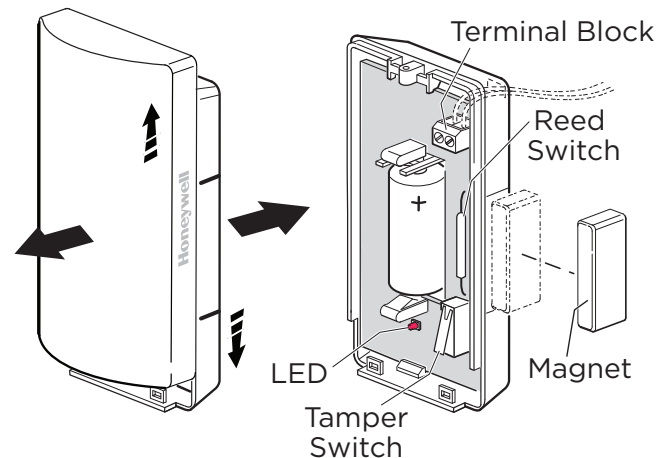


The SiXCT is a wireless door / window sensor intended for use with Honeywell controls that support SiX™ series devices.



Open the SiXCT

- Firmly slide the top and bottom housings in opposite directions and pull them apart to open the device.



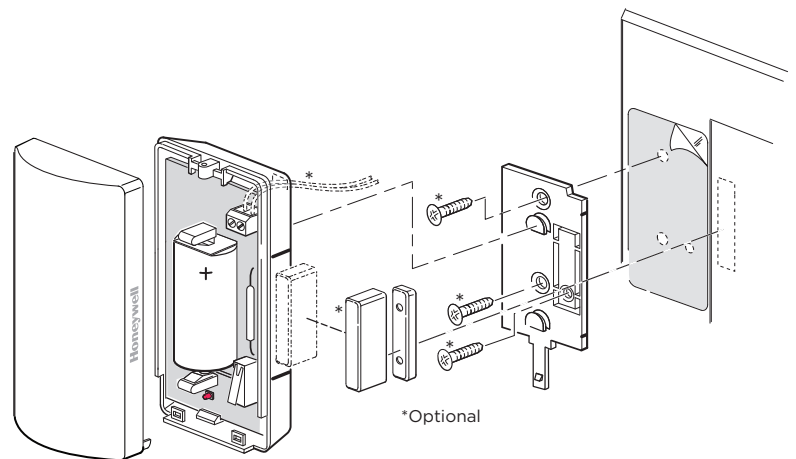
Mounting

The SiXCT can be mounted with several options:

- Installation with magnet: Make gap is 0.75"; Break gap is 1.30".
- Optional Wiring for Service loops:
 - surface wiring
 - concealed wiring

NOTE: Wiring limit is 3ft.

NOTE: After enrolling and before mounting the device permanently, conduct Go/No Go tests (see controller's instructions) to verify adequate signal strength. Adjust the device location and orientation as necessary.



Enroll and Set Up

NOTE: The SiXCT can be enrolled and programmed before or after installation.

1. Set the *Lyric Controller* in Programming Mode and go to Zone Programming. Select Add New, then Serial Number. Follow the controller's instructions to begin enrollment.
2. Pull the battery tab to activate the SiXCT and begin the enrollment process.
3. The LED flashes (up to about 20 seconds*) during enrollment.
 - The device sends its unique MAC ID (Serial Number) and Services information to the controller.
 - The controller registers the device and displays the transmitter data on screen.

***NOTE:** Enrollment time varies depending on the signal strength between the device and the controller.
4. When done, the LED is ON for 3 seconds and the control beeps to confirm enrollment.
5. Trigger the device again to complete enrollment and select SAVE.

If the device is not successfully enrolled during the enrollment period, the LED turns off and the device powers down. Activate a tamper, wired service (loop) or the reed switch to restart the enrollment process.

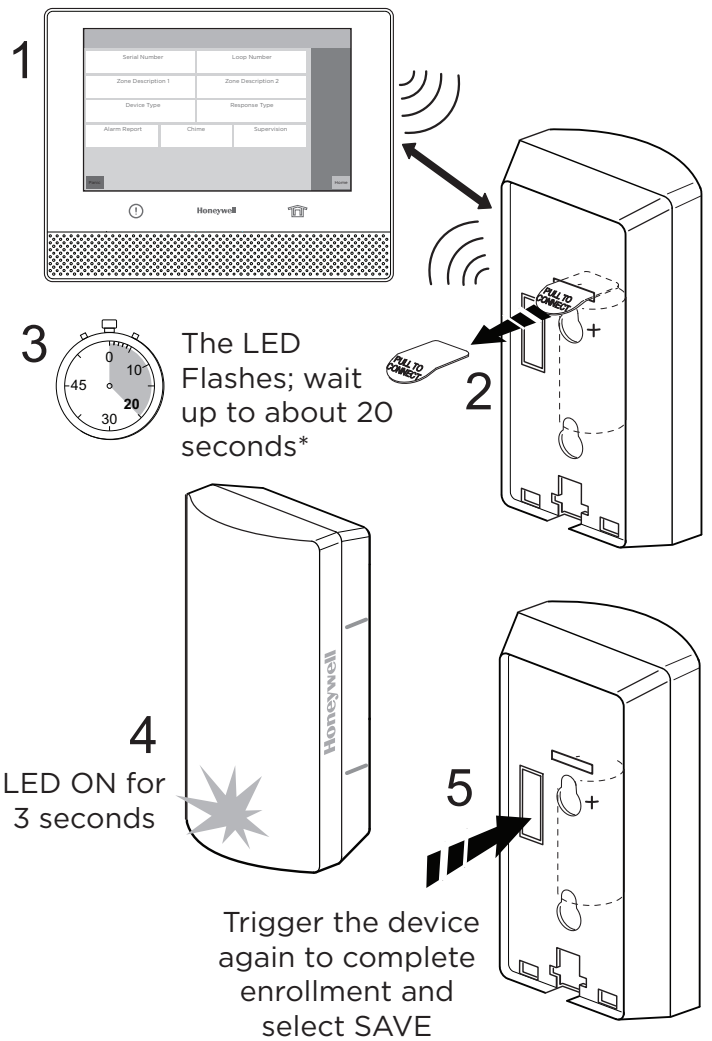
The device can also be manually enrolled. See the Controller's Programming Guide for details.

Follow instructions in the Controller's programming guide to program the SiXCT services (the default service is "Reed"):

- Reed switch / Magnet
- External device connected / Terminal block (unsupervised)

After enrolling, update the SiXCT firmware (via the Controller) to ensure the latest version is used. See the Controller's instructions.

Programming Mode > Zones >
Add New > Serial Number



NOTE: Once enrolled in a system, the SiXCT cannot be used with another controller until it is removed from the current controller. See the Controller's instructions for details.

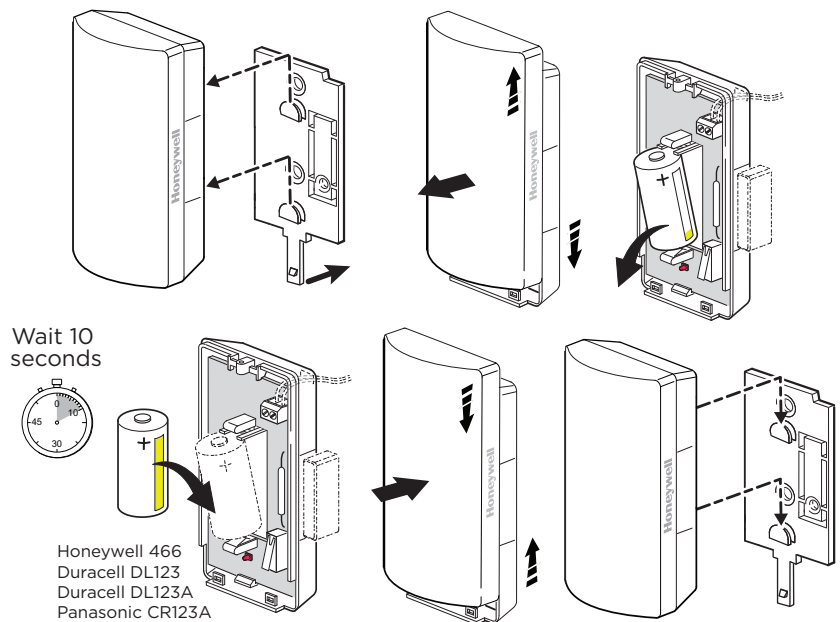
Battery Replacement

- Push the bottom latch of the mounting bracket back to disengage it. Then slide the back housing, up and out to remove it from the mounting bracket.
- Slide the front and back housings in opposite directions and pull the housings apart.
- Remove the battery, **wait 10 seconds**, then insert a new battery. Recommended batteries:

Panasonic CR123A Honeywell 466
Duracell DL123 Duracell DL123A

- Place the front and back housings together and slide them together as shown.

BATTERY CAUTION: Risk of fire, explosion and burns. Do not recharge, disassemble, heat above 212° F (100° C) or incinerate. Dispose of used batteries properly. Keep away from children.



Specifications:

Battery: 1 x 3V Lithium, Honeywell 466, Panasonic CR123A, Duracell DL123 or DL123A

Tamper: Cover and Wall

RF Frequency: 2.4GHz

Operating Temperature: 32°– 122° F / 0°– 50° C
(Agency Compliance 32°– 120° F / 0°– 49° C)

Relative Humidity: 95% max. (Agency Compliance - 93% max.),
non-condensing

Dimensions: 1" H x 3.13" L x 1.61" W / 25.5 mm H x 79.5 mm L x 41 mm W

Approval Listings:

FCC / IC

cETLus Listed

Conforms to UL 634

Certified to ULC/ORD-C634

Other Standards:

RoHS



**Product must be tested at
least once each year**

FEDERAL COMMUNICATIONS COMMISSION & INDUSTRY CANADA STATEMENTS

The user shall not make any changes or modifications to the equipment unless authorized by the Installation Instructions or User's Manual. Unauthorized changes or modifications could void the user's authority to operate the equipment.

CLASS B DIGITAL DEVICE STATEMENT

This equipment has been tested to FCC requirements and has been found acceptable for use. The FCC requires the following statement for your information: This equipment generates and uses radio frequency energy and if not installed and used properly, that is, in strict accordance with the manufacturer's instructions, may cause interference to radio and television reception. It has been type tested and found to comply with the limits for a Class B computing device in accordance with the specifications in Part 15 of FCC Rules, which are designed to provide reasonable protection against such interference in a residential installation. However, there is no guarantee that interference will not occur in a particular installation. If this equipment does cause interference to radio or television reception, which can be determined by turning the equipment off and on, the user is encouraged to try to correct the interference by one or more of the following measures:

- If using an indoor antenna, have a quality outdoor antenna installed.
- Reorient the receiving antenna until interference is reduced or eliminated.
- Move the radio or television receiver away from the receiver/control.
- Move the antenna leads away from any wire runs to the receiver/control.
- Plug the receiver/control into a different outlet so that it and the radio or television receiver are on different branch circuits.
- Consult the dealer or an experienced radio/TV technician for help.

INDUSTRY CANADA CLASS B STATEMENT

This Class B digital apparatus complies with Canadian ICES-003.

Cet appareil numérique de la classe B est conforme à la norme NMB-003 du Canada.

FCC / IC STATEMENT

This device complies with Part 15 of the FCC Rules, and RSS-210 of Industry Canada. Operation is subject to the following two conditions: (1) This device may not cause harmful interference, and (2) This device must accept any interference received, including interference that may cause undesired operation.

Cet appareil est conforme à la partie 15 des règles de la FCC & de RSS-210 des Industries Canada. Son fonctionnement est soumis aux conditions suivantes: (1) Cet appareil ne doit pas causer d'interférences nuisibles. (2) Cet appareil doit accepter toute interférence reçue y compris les interférences causant une réception indésirable.

RF EXPOSURE

Warning – The antenna(s) used for this device must be installed to provide a separation distance of at least 7.8 inches (20 cm) from all persons and must not be co-located or operating in conjunction with any other antenna or transmitter except in accordance with FCC multi-transmitter product procedures.

Mise en Garde

Exposition aux Fréquences Radio: L'antenne (s) utilisée pour cet émetteur doit être installée à une distance de séparation d'au moins 7,8 pouces (20 cm) de toutes les personnes.

Support and Warranty

REFER TO THE INSTALLATION INSTRUCTIONS FOR THE CONTROL WITH WHICH THIS DEVICE IS USED, FOR DETAILS REGARDING LIMITATIONS OF THE ENTIRE ALARM SYSTEM.

For the latest documentation and online support information, please go to:
<https://mywebtech.honeywell.com/>

For the latest warranty information, please go to:
www.honeywell.com/security/hsc/resources/wa.

For patent information, see www.honeywell.com/patents



MyWebTech



Warranty



Patents