

# 4" Sloped Ceiling LED Baffle Insert



## Features

- 4" Sloped Ceiling LED Inserts feature an integral gimbal for  $\pm 25^\circ$  tilt adjustability.
- Compatible with most incandescent and electronic low voltage dimmers.
- California Title 24 (JA8-2016-E).
- Life Span: 50,000 hours L70.

## Specifications

<b>Wattage</b>	12W
<b>Lumens</b>	900 lm
<b>Voltage</b>	120V
<b>Color Temp.</b>	2700K, 3000K, 3500K, 4000K, 5000K
<b>Dimmable</b>	Triac/ELV
<b>Lamp Type</b>	LED
<b>CRI</b>	90+
<b>Damp Location</b>	Listed

## Options



White



Bronze

## Technical Details

**Optics:** LED light engine has frosted polycarbonate lens with reflector to diffuse light evenly while reducing glare.

**Construction:** Deep baffle trim with torsion springs to be held into the housing. High quality powder coat finish preventing rust and paint cracking on metal parts. Integral gimbal allows for  $25^\circ$  adjustability to match slope.

**Installation:** Designed to install into ELCO 4" Sloped ceiling housing with torsion springs brackets. For retrofitting other manufacturers sloped ceiling cans always test the product to ensure proper fit and function.

### Electrical:

- Driver connects to 120VAC power supply.
- High efficiency, high power factor > 0.9 driver.

### LED Technology:

- Accurate color rendering with 90+ CRI.
- Lumen Maintenance of 50,000 hours L70 Life based on LM80 standardized test results.
- Superior Thermal Management by utilizing aluminum diecast heat sink.

### Dimmability:

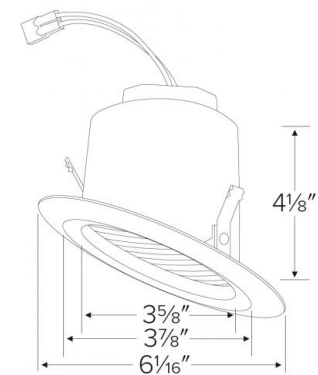
- Dimmable with most standard TRIAC and ELV type dimmers.
- Dimming range of 100% down to 10%. Dimming range may vary depending on dimmer model.
- For full list of dimmers refer to the Dimmer Compatibility List.

**Compatible Housings:** EL470ICA, EL470RICA.

### Listings:

- UL Listed for Damp Location.
- California Title 24 (JA8-2016-E).

## Dimensions



## Product Numbers

Item	Lamp type	Lumens	CCT	Watts	Voltage	Dimming	Finish
EL423CT5W	LED	900 lm	2700K, 3000K, 3500K, 4000K, 5000K	12W	120V	Triac/ELV	All White
EL423CT5BZ	LED	900 lm	2700K, 3000K, 3500K, 4000K, 5000K	12W	120V	Triac/ELV	All Bronze

**Warranty:** ELCO Products are built to last. 5-year Limited warranty.

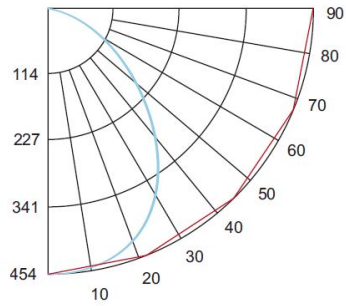
## Product Number Builder Example: EL423CT5W

4" Sloped Ceiling LED Baffle Insert	Color Temp.	Finish
<b>EL423</b>	CT5 2700K - 5000K	<b>W</b> All White <b>BZ</b> All Bronze

### Sloped Ceiling LED Baffle Insert

#### PHOTOMETRIC REPORT

Product #: EL42330  
 Wattage/Lumens: 14.7W/ 1010 Lm  
 Luminaire LPW: 69 Lm/W



#### CANDLE POWER SUMMARY

Degrees Vertical	0°
0	454
5	453
15	435
25	401
35	342
45	256
55	156
65	69
75	26
85	7.4
90	1.2

#### ILLUMINANCE AT A DISTANCE

Distance to Target Plane	Footcandles Beam Center	Beam Diameter
4'	28.4	8.9'
6'	12.6	13.3'
8'	7.10	17.8'
10'	4.54	22.2'

#### ZONAL LUMEN SUMMARY

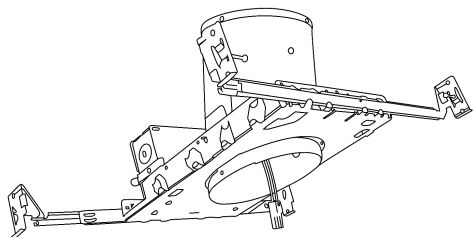
Zone	Lumens	% Luminaire
0-30°	350.38	34.70
0-40°	563.53	55.80
0-60°	899.83	89.10
0-90°	1007.27	99.80

# Compatible Products

For use with **4" LED Sloped Inserts**

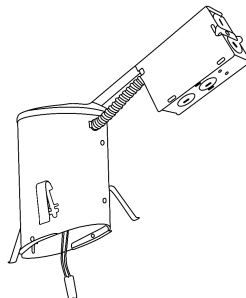
---

## 4" Dedicated LED Sloped Ceiling IC Housings



### New Construction Sloped Housing

CAT NO.	SPECIFICATIONS
EL470ICA	14W Max.



### Remodel Sloped Housing

CAT NO.	SPECIFICATIONS
EL470RICA	14W Max.